



Engineered To Perform

USER'S MANUAL

**Model
TMW2509WAG**

IMPORTANT NOTE:

Thank you for selecting a TECO quality appliance.
Read this manual carefully before installing or operating your new appliance.
Make sure to save this manual for future reference.
The design and specifications are subject to change without prior notice for product improvement. Consult with the place of purchase, sales representative or check the TECO website for details.

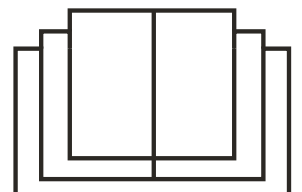


TABLE OF CONTENTS

Safety & Precautions	3 - 4
Installation Instructions	4
Cooking Tips	5
Name of Parts	5
Control Panel	6
Operating Instructions	7 - 9
Cleaning & Maintenance	9
Specifications	9
Repairs, Service & Warranty	10

SAFETY & PRECAUTIONS

1. Do not attempt to operate this oven with the door is open since open-door operation can result in harmful exposure to microwave energy. It is important not to bypass or tamper with the safety interlocks.
2. Do not place any object between the oven front face and the door or allow dirt or cleaner residue to accumulate on sealing surfaces.
3. Do not operate the oven if it is damaged. It is very important that the oven door closes properly and that there is no damage to the.
 - a) Door (no part is bent or warped),
 - b) Hinges and latches (broken or loosened),
 - c) Door seals and sealing surfaces.
4. The oven should not be adjusted or repaired by anyone except qualified service personnel.

IMPORTANT SAFETY INFORMATION

When using this electrical appliance, basic safety precautions should be followed including the following:

WARNING! To reduce the risk of burns, electric shock, fire, injury to persons or exposure to excessive microwave energy:

1. Read all instructions before using the appliance and keep this manual in a safe place for future reference.
2. Use this appliance only for its intended use as described in this manual. Do not use corrosive chemicals or vapors in this appliance. This type of oven is specifically designed to heat, cook or dry food. It is not designed for industrial or laboratory use.
3. Do not operate the oven when empty.
4. Do not operate this appliance if it has a damaged power cord or plug. If it is not working properly, or it has been damaged or dropped. If the power cord is damaged, it must be repaired or replaced by the manufacturer or its service agent or a similarly qualified person in order to avoid hazards.
5. **WARNING!** This appliance is not intended for use by persons(including children) with reduced physical, sensory or mental capabilities or lack of experience and knowledge unless they have been given supervision or instruction concerning use of the appliance by a person responsible for their safety.
6. **WARNING!** Extreme care should be taken when the appliance is operated in combination mode due to the temperatures generated.
7. To reduce the risk of fire in the oven cavity:
 - When heating food in a plastic or paper container, monitor the oven due to the possibility of ignition.
 - Remove wire twist-ties from paper or plastic bags before placing bag in the oven.
 - If smoke is observed, switch off or unplug the appliance and keep the door closed in order to stifle any flames.
 - Do not use the cavity for storage purposes. Do not leave paper products, cooking utensils, or food in the cavity when not in use.
 - The microwave oven is intended for heating food and beverages. Drying of clothing and heating of warming pads, slippers, sponges, damp cloth and similar may lead to risk of injury, ignition or fire.
8. **WARNING!** Liquid or other food must not be heated in sealed containers since they are liable to explode.
9. Microwave heating of beverages can result in delayed eruptive boiling, therefore care must be taken when handling the container.
10. Do not fry food in the microwave oven. Hot oil can damage oven parts and utensils. This can result in skin burns.
11. Eggs in their shell and whole hard-boiled eggs should not be heated in microwave ovens since they may explode even after microwave heating has ended.
12. Pierce foods with heavy skins such as potatoes, whole squashes, apples and chestnuts before cooking.
13. The contents of feeding bottles and baby jars should be stirred or shaken and the temperature should be checked before serving in order to avoid injury or burns.
14. Cooking utensils may become hot because of heat transferred from the heated food. Potholders may be needed to handle the utensil.
15. Utensils should be checked to ensure that they are suitable for use in the microwave oven.
16. **WARNING!** It is hazardous for anyone other than a trained person to carry out any service or repair which involves the removal of any cover which provides protection against exposure to microwave energy.
17. This Microwave complies with EN 55011/CISPR 11, in this standard it belong to Class B Group 2 classification. Group 2 equipment: group 2 contains all ISM RF equipment in which radio-frequency energy in the frequency range 9 kHz to 400 GHz is intentionally generated and used or only used locally, in the form of electromagnetic radiation, inductive and/or capacitive coupling, for the treatment of material, for inspection/analysis purposes, or for transfer of electromagnetic energy. Class B equipment is equipment suitable for use in locations in residential environments and in establishments directly connected to a low voltage power supply network which supplies buildings used for domestic purposes.
18. Children should be supervised to ensure that they do not play with the appliance.
19. The microwave oven is only used while freestanding.
20. **WARNING!** Do not install oven over a range cook top or other heat-producing appliance. if installed in such locations, could damage the appliance and void the warranty.
21. The microwave oven should not be placed in a cabinet.
22. The door or the outer surface may get hot when the appliance is operating.

IMPORTANT SAFETY INFORMATION (continued)

23. **WARNING!** Accessible parts may become hot during use. Young children should be kept away.
24. During use the appliances becomes hot. Care should be taken to avoid pressing heating elements inside the oven.
25. The temperature of accessible surfaces may be high when the appliance is operating.
26. **WARNING!** If the door or door seals are damaged, the oven must not be operated until it has been repaired or replaced by the manufacturer or a qualified service agent.
27. The appliance is not intended to be operated by means of an external timer or separate remote-control system.
28. The microwave oven is for indoor domestic use only and not intended for commercial use.
29. Never remove the distance holder in the back or on the sides, as it ensures a minimum distance from the wall for air circulation.
30. Please secure the turntable before you move the appliance to avoid damage.
31. **CAUTION!** Never attempt to perform repairs or service on the microwave oven. If any part prevents normal operation, contact the manufacturer or a qualified service technician.
32. The microwave oven is intended for defrosting, cooking and steaming of food only.
33. Use heat resistant gloves if you remove any heated food.
34. **CAUTION!** Steam will escape, when opening lids or wrapping foil.
35. Never place metal objects or utensils inside the oven while in operation.

INSTALLATION INSTRUCTIONS

1. Make sure that all the packing materials are removed from the inside of the microwave.
2. **WARNING!** Before installation, check the oven for any damage. Check for misaligned or bent door, damaged door seals and sealing surfaces, broken or loose door hinges, latches and dents inside the cavity or on the door. If there is any damage, do not operate the oven and contact the manufacturer or a qualified service technician.
3. This microwave oven must be placed on a flat, stable surface to hold its weight and the weight of the heaviest food intended to be cooked in the oven.
4. Do not place the oven where heat, moisture, or high humidity are generated, or near combustible materials.
5. For correct operation, the oven must have sufficient airflow. Allow minimum 20cm of space above the top surface of the oven and 5cm at both sides. The microwave oven rear plate must be placed close to the wall. Do not cover or block any openings on the appliance. Do not remove any of the attached feet.
6. Do not operate the oven without the glass tray, roller support, and shaft in their proper positions.
7. Make sure that the power supply cord is undamaged and does not run under the oven or over any hot or sharp surfaces.
8. The power socket must be readily accessible so that it can be easily unplugged in an emergency.
9. Do not use the oven outdoors.

RADIO INTERFERENCE

Operation of the microwave oven can cause interference to your radio, TV, or similar equipment. When there is interference, it may be reduced or eliminated by taking the following measures:

1. Clean the microwave oven door and sealing surfaces.
2. Reorient or relocate the receiving antenna of the affected radio or television.
3. Relocate the microwave oven with respect to the receiver of the radio or television.
4. Move the microwave oven away from the receiver of the radio or television.
5. Plug the microwave oven into a different outlet that is connected to a different power circuit than affected devices.

BEFORE CALLING SERVICE

Before asking for service, please check each item below:

- Check to ensure the oven is plugged in securely. If not, remove the plug from the outlet, wait 10 seconds, and plug it in again securely.
- Check for a blown circuit fuse or a tripped main circuit breaker. If these are operating properly, test the outlet with another appliance to ensure the outlet is working correctly.
- Check to ensure the control panel is programed correctly and the time is set.
- Check to ensure the door is securely closed, engaging the door lock system and there is no obstruction. If the door is not properly closed, the microwave will not function.

IF NONE OF THE ABOVE RECTIFIES THE SITUATION, THEN CONTACT A QUALIFIED TECHNICIAN. DO NOT TRY TO ADJUST OR REPAIR THE OVEN YOURSELF.

For more information, please refer to REPAIRS, SERVICE & WARRANTY at the back of this manual.

COOKING TIPS

1. For best results, arrange food carefully. Place thickest areas towards the outside of the dish.
2. Watch the cooking time. Cook for the shortest amount of time indicated and add more as needed. Food severely overcooked can smoke or ignite.
3. Cover foods while cooking. Covers prevent spattering and help foods to cook evenly.
4. Turn food over once during microwave cooking to speed cooking of certain foods as chicken and hamburgers. Large items like roasts must be turned over at least once.
5. Rearrange foods such as meatballs halfway through cooking both from top to bottom and from the center of the dish to the outside.

COOKING UTENSIL GUIDE

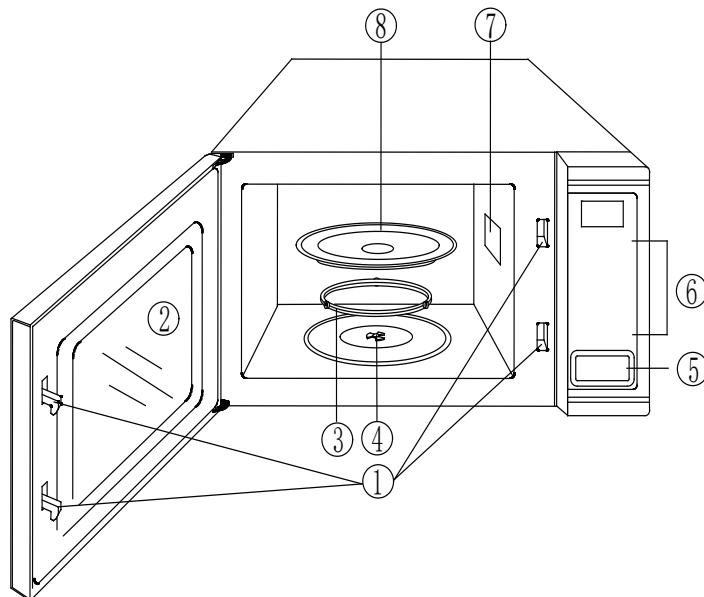
1. Microwaves cannot penetrate metal. Only use utensils that are suitable for use in microwave ovens. Metallic containers for food and beverages should not be used for microwave cooking.
2. Microwaves cannot penetrate metal, so metal utensils or dishes with metallic trim should not be used.
3. Do not use recycled paper products when microwave cooking, as they may contain small metal fragments which may cause sparks and/or fire.
4. Round or oval dishes have better cooking results rather than square / oblong containers as they tend to overcook.
5. Narrow strips of aluminum foil may be used to prevent overcooking of exposed areas. But be careful don't use too much and keep a distance of 2.54cm (1 inch) between foil and cavity.

The list below is a general guide to help select the correct utensils and cookware for each cooking mode.

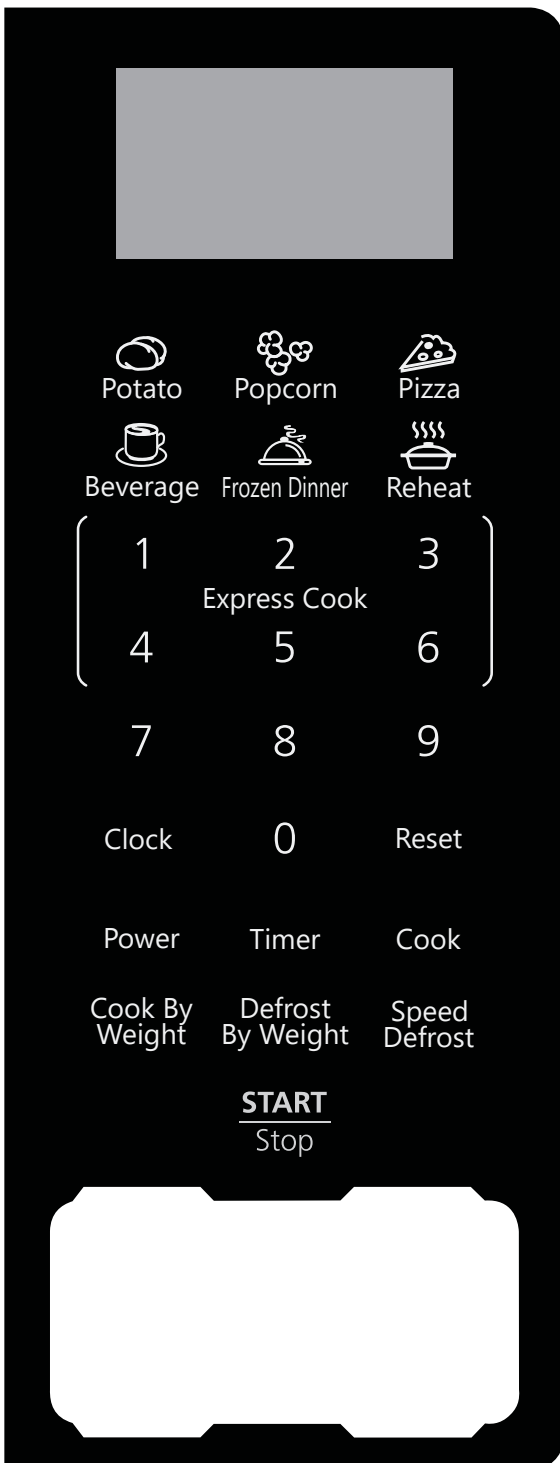
Cookware	Microwave
Heat-Resistant Glass	Yes
Non Heat-Resistant Glass	No
Heat-Resistant Ceramics	Yes
Microwave-Safe Plastic Dish	Yes
Kitchen Paper	Yes
Metal Tray	No
Metal Rack	No
Aluminum Foil & Foil Container	No

NAME OF PARTS

1. Door Safety Lock System
 2. Oven Window
 3. Roller Ring
 4. Shaft
 5. Door Release Button
 6. Control Panel
 7. Wave Guide
- (Please do not remove the mica plate covering the wave guide)
8. Glass Tray



CONTROL PANEL



- **DISPLAY**
Cooking time, power, indicators and clock time are displayed.
- **AUTO COOK MENUS**
Instant settings to cook popular foods.
- **NUMBER BUTTONS (0-9)**
Use to set time or food weight. But use the number buttons from 1 to 6 to set express cooking programs.
- **CLOCK**
Press to set the clock time.
- **RESET**
Clear all previous settings before cooking. It is also used to set child lock.
- **POWER**
Press to select microwave power level.
- **TIMER**
Press to set timer function.
- **COOK**
Use to set multi-stage cooking program.
- **COOK BY WEIGHT**
Press to cook food based on weight.
- **DEFROST BY WEIGHT**
Press to defrost food based on weight.
- **SPEED DEFROST**
Press to defrost food based on time.
- **START/STOP**
Press to start and stop cooking programs.

OPERATING INSTRUCTIONS

- During cooking, if START/STOP button is pressed once will pause the program. Pressing RESET button once will cancel the program.
- Once cooking ends, the display will show End and a beep will sound every two minutes until a button is pressed or the door opened.
- During operation, pressing a valid button will beep once. If an invalid button is pressed, the oven will beep twice.

SETTING THE CLOCK

1. Press CLOCK button once.
2. Use number buttons to set correct time.
3. Press CLOCK button once to confirm.

NOTE: This is a 12- hour clock. When the oven is first plugged in or when power resumes after a power interruption, the display will show "ENTER", "CLOCK", "TIME". It's not essential to set the clock time. Pressing the RESET button will cause the oven to return to standby mode.

SETTING THE TIMER

1. In standby mode or during cooking, press TIMER button once.
2. Use number buttons to set a timer duration. The longest time is 99 minutes and 99 seconds.
3. Press START/STOP button to confirm.

NOTE: When the countdown ends, the oven will beep to indicate the timer is complete. You can check the remaining time by pressing TIMER button. While the timer is displayed, pressing the RESET button will cancel the timer.

EXPRESS COOKING

While in standby mode, pressing a number button (1, 2, 3, 4, 5 or 6) once, the oven starts the cooking program with the corresponding time (respectively 1 minute, 2 minutes, 3 minutes, 4 minutes, 5 minutes and 6 minutes). The microwave oven will start to cook at full power level.

MICROWAVE COOKING

1. In standby mode, press POWER button repeatedly to select a power level.
2. Use number buttons to set cooking time. The longest time is 99 minutes and 99 seconds.
3. Press START/STOP button to confirm.

Press POWER	Power (Display)	Press POWER LEVEL	Power (Display)
Once	100% (P100)	6 times	50% (P-50)
Twice	90% (P-90)	7 times	40% (P-40)
3 times	80% (P-80)	8 times	30% (P-30)
4 times	70% (P-70)	9 times	20% (P-20)
5 times	60% (P-60)	10 times	10% (P-10)

NOTE: During cooking, you can check the current cooking power level by pressing the POWER button.

SPEED DEFROST

1. In standby mode, press SPEED DEFROST button once.
2. Use number buttons to set defrosting time. The longest time is 99 minutes and 99 seconds.
3. Press START/STOP button to confirm.

NOTE: During defrosting, the oven will pause and a beep will sound to indicate when to turn food over. Once done, close the door and press START/STOP button once to resume.

DEFROST BY WEIGHT

The defrosting time and power are adjusted automatically once the weight of the food is entered.

1. In standby mode, press DEFROST BY WEIGHT button once.
2. Use number buttons to set food weight. The maximum weight is 1800 grams.
3. Press START/STOP button to confirm.

NOTE: During defrosting, the oven will pause and sound a beep indicating when to turn food over. Once done and the door is closed, press START/STOP button to resume.

OPERATING INSTRUCTIONS (continued)

COOK BY WEIGHT

1. Press COOK BY WEIGHT button once.
2. Use number buttons (1~3) to set food code (refer to the table below).
3. Use number buttons to set food weight.
4. Press START/STOP button to confirm.

Cook by weight code description:

Code	Food Type	Maximum Weight
1	Beef	2700 grams
2	Mutton	2700 grams
3	Pork	2300 grams

NOTE: During cooking, the oven will pause and sound a beep to indicate when to turn food over. Once done,, press START/STOP button to resume cooking.

MULTI-STAGE COOKING

The oven can be programmed up to 3 automatic cooking sequences. It can include speed defrost with one or two microwave cooking programs or include two microwave cooking programs. Speed defrost can only be set in the first sequence.

A. Speed defrost with one or two-stage microwave cooking:

1. Open the door and place the food into the oven then close the door.
2. Press SPEED DEFROST button once.
3. Use number buttons to set defrosting time.
4. Press COOK button once.
5. Input the first microwave cooking program. Do not press START/STOP button.
6. Press COOK button once.
7. Input the second microwave cooking program.
8. Press START/STOP button to confirm.

NOTE: Step 6 and 7 are not necessary if you just need one microwave cooking program.

B. Two-stage microwave cooking:

Some recipes require different stages of cooking at different temperatures.

1. Input the first microwave cooking program. Do not press START/STOP button.
2. Press COOK button once.
3. Input the second microwave cooking program.
4. Press START/STOP to start.

CHILD LOCK

The child lock prevents unsupervised operation by children.

To set : In standby mode, press and hold RESET button for 3 seconds, then a beep will sound and the lock indicator light will turn on, the oven will enter child lock mode. In the lock state, all buttons are disabled.

To cancel: In child lock mode, press and hold RESET button for 3 seconds, then a beep will sound and the indicator light will disappear.

AUTO COOK

For the following food or cooking mode, it is not necessary to program the cooking power and time. It is sufficient to indicate the type of food that is to be cooked as well as the weight or servings of the food. For small portions, simply press the applicable button and start. For large portions, press the button twice.

Potato

For potatoes (120 to 170 g/serving):

1. Press POTATO button once.
2. Enter number of potatoes by pressing number buttons from 1 to 4.
3. Press START/STOP to confirm.

For large potatoes (230 to 280 g/serving):

1. Press POTATO button twice.
2. Enter number of potatoes by pressing number buttons from 1 to 4.
3. Press START/STOP to confirm.

Popcorn

1. Press POPCORN button once. Popcorn automatically sets the cooking time for a 100 g bag of popcorn.
2. Press START/STOP button to start.

NOTE: To change the preset popcorn time: Press POPCORN twice. Press number buttons to set minutes and seconds. Press START/STOP button to start. The longest cooking time is 99 minutes and 99 seconds. This manually set cooking time will be set as the default until it is changed or the next time the power is switched off and back on.

OPERATING INSTRUCTIONS (continued)

Pizza

Reheating a slice of pizza:

1. Press PIZZA button once.
2. Press START/STOP to confirm.

Heating a whole frozen pizza:

1. Press PIZZA button twice.
2. Press START/STOP to confirm.

Beverage

For cups (140 to 200 ml/serving):

1. Press BEVERAGE button once.
2. Enter number of servings by pressing number buttons from 1 to 4.
3. Press START/STOP to confirm.

For large cups (260 to 310 ml/serving):

1. Press BEVERAGE button twice.
2. Enter number of servings by pressing number buttons from 1 to 4.
3. Press START/STOP to confirm.

Frozen Dinner

For small frozen dinners (198 to 255 g/serving):

1. Press FROZEN DINNER once.
2. Enter number of servings by pressing number buttons from 1 to 2.
3. Press START/STOP to confirm.

For large frozen dinners (280 to 340 g/serving):

1. Press FROZEN DINNER twice.
2. Enter number of servings by pressing number buttons from 1 to 2.
3. Press START/STOP to confirm.

Reheat

For reheating medium-sized food:

1. Press REHEAT button once.
2. Press START/STOP to confirm.

CLEANING & MAINTENANCE

1. Turn off the oven and unplug the power cord from the wall when cleaning.
2. Keep the inside of the oven clean. When food splatters or spilled liquids adhere to oven walls, wipe with a damp cloth. Mild detergents may be used if the oven gets overly soiled. Avoid using spray or other harsh cleaners or chemicals. They may stain, streak or dull the door surface.
3. The outside of the oven should be cleaned with a damp cloth. To prevent damage to the operating parts inside the oven, water should not be allowed to seep into the ventilation openings.
4. Wipe the door and window on both sides, the door seals and adjacent parts frequently with a damp cloth to remove any spills or splatters. Do not use abrasive cleaners or chemicals.
5. A steam cleaner is not to be used.
6. Do not allow the control panel to become wet. Clean with a soft, damp cloth. When cleaning the control panel, leave oven door open to prevent oven from accidentally turning on.
7. If steam accumulates inside or around the outside of the oven door, wipe with a soft cloth. This may occur when the microwave oven is operated under high humidity conditions. This is normal.
8. It is occasionally necessary to remove the glass tray for cleaning. Wash the tray in warm sudsy water or in a dishwasher.
9. The roller ring and oven floor should be cleaned regularly to avoid excessive noise. Simply wipe the bottom surface of the oven with mild detergent. The roller ring may be washed in mild soapy water or in a dishwasher. When removing the roller ring, be sure to replace it in the proper position.
10. Remove odors from your oven by combining a cup of water with the juice and skin of one lemon in a microwaveable bowl. Microwave for 5 minutes. Wipe thoroughly and dry with a soft cloth.
11. If the light bulb burns out, please contact a qualified technician to have it replaced.
12. The oven should be cleaned regularly and any food deposits should be removed. Failure to maintain the oven in a clean condition could lead to deterioration of surfaces that could adversely affect the life of the unit and could possibly result in a hazardous situation.
13. Do not dispose of this appliance into domestic rubbish bin; it should be disposed responsibly and in accordance with local council laws and restrictions.

SPECIFICATIONS

Power Supply	230-240V/50Hz, 1400W(microwave)
Power Consumption (Microwave)	900W
Operation Frequency	2450MHz
Outside Dimensions (mm)	Height 281 Width 483 Depth 378
Oven Cavity Dimensions (mm)	Height 220 Width 340 Depth 344
Oven Capacity	25 Liters
Net Weight	Approx. 13 Kg

REPAIRS, SERVICE & WARRANTY

It is hazardous for anyone installing, removing, altering, repairing, servicing or testing of this appliance.

Only an Authorised Service Person can carry out servicing or repairs to this appliance.

IF SERVICE IS REQUIRED:

If you have a problem, and the problem persists after you have made the checks mentioned in this manual, contact:

TECO Australia's Service on 1300 660 037 (8:30am - 4pm Mon~Fri AEST)

For warranty details please visit www.teco.com.au

Service Email : had.service@teco.com.au

Spare Parts : had.parts@teco.com.au

Did you know?

TECO Australia's product range also includes:

- ◆ Top Load Clothes Washers
- ◆ Front Load Clothes Washers
- ◆ Twin Tub Clothes Washers
- ◆ Auto Sensing Heat Pump and Vented Clothes Dryers
- ◆ Refrigerators
- ◆ Chest and Vertical Freezers
- ◆ Bar Fridges
- ◆ Televisions
- ◆ Air Curtains
- ◆ Air Conditioners

Visit **www.teco.com.au** for our full range.



WARRANTY INFORMATION

Teco's warranty information for the product purchased is available at www.teco.com.au.

A copy of the warranty may also be obtained by contacting Teco's Warranty and Service Department on 1300 660 037 during business hours (Mon - Fri 8.30am – 4pm AEST).

To arrange for servicing of a Teco product, please contact our Warranty and Service Department on 1300 660 037 during business hours (Mon - Fri 8.30am – 4pm AEST).

To assist in processing any warranty claim that you may have Teco recommends that you:

1. Complete the following information in relation to your purchase:

Name of retailer: _____

Name of owner: _____

Date of purchase: _____

Model No. : _____

Serial No. : _____

MFG code: _____

2. Retain proof of your purchase for any warranty claim. Ideally this proof of purchase will be the tax invoice issued for your purchase.

3. Complete the following information in relation to the person that installed your Teco appliance (if applicable):

Installer's name: _____

Telephone No.: _____

Licence No.: _____

