



Engineered To Perform

USER'S MANUAL

Model
TMW3009BGCAG

IMPORTANT NOTE:

Thank you for selecting a TECO quality appliance.
Read this manual carefully before installing or operating your new appliance.
Make sure to save this manual for future reference.
The design and specifications are subject to change without prior notice for product improvement. Consult with the place of purchase, sales representative or check the TECO website for details.

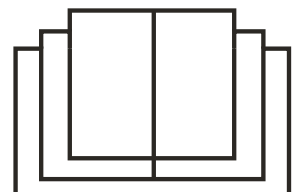


TABLE OF CONTENTS

Safety & Precautions	3 - 4
Installation Instructions	4
Cooking Tips	5
Name of Parts	5
Control Panel	6
Operating Instructions	7 - 9
Cleaning & Maintenance	9
Troubleshooting	10
Specifications	10
Repairs, Service & Warranty	11

SAFETY & PRECAUTIONS

1. Do not attempt to operate this oven with the door is open since open-door operation can result in harmful exposure to microwave energy. It is important not to bypass or tamper with the safety interlocks.
2. Do not place any object between the oven front face and the door or allow dirt or cleaner residue to accumulate on sealing surfaces.
3. Do not operate the oven if it is damaged. It is very important that the oven door closes properly and that there is no damage to the.
 - a) Door (no part is bent or warped),
 - b) Hinges and latches (broken or loosened),
 - c) Door seals and sealing surfaces.
4. The oven should not be adjusted or repaired by anyone except qualified service personnel.

IMPORTANT SAFETY INFORMATION

When using this electrical appliance, basic safety precautions should be followed including the following:

WARNING! To reduce the risk of burns, electric shock, fire, injury to persons or exposure to excessive microwave energy:

1. Read all instructions before using the appliance and keep this manual in a safe place for future reference.
2. Use this appliance only for its intended use as described in this manual. Do not use corrosive chemicals or vapors in this appliance. This type of oven is specifically designed to heat, cook or dry food. It is not designed for industrial or laboratory use.
3. Do not operate the oven when empty.
4. Do not operate this appliance if it has a damaged power cord or plug. If it is not working properly, or it has been damaged or dropped. If the power cord is damaged, it must be repaired or replaced by the manufacturer or its service agent or a similarly qualified person in order to avoid hazards.
5. **WARNING!** This appliance is not intended for use by persons(including children) with reduced physical, sensory or mental capabilities or lack of experience and knowledge unless they have been given supervision or instruction concerning use of the appliance by a person responsible for their safety.
6. **WARNING!** Extreme care should be taken when the appliance is operated in combination mode due to the temperatures generated.
7. To reduce the risk of fire in the oven cavity:
 - When heating food in a plastic or paper container, monitor the oven due to the possibility of ignition.
 - Remove wire twist-ties from paper or plastic bags before placing bag in the oven.
 - If smoke is observed, switch off or unplug the appliance and keep the door closed in order to stifle any flames.
 - Do not use the cavity for storage purposes. Do not leave paper products, cooking utensils, or food in the cavity when not in use.
 - The microwave oven is intended for heating food and beverages. Drying of clothing and heating of warming pads, slippers, sponges, damp cloth and similar may lead to risk of injury, ignition or fire.
8. **WARNING!** Liquid or other food must not be heated in sealed containers since they are liable to explode.
9. Microwave heating of beverages can result in delayed eruptive boiling, therefore care must be taken when handling the container.
10. Do not fry food in the microwave oven. Hot oil can damage oven parts and utensils. This can result in skin burns.
11. Eggs in their shell and whole hard-boiled eggs should not be heated in microwave ovens since they may explode even after microwave heating has ended.
12. Pierce foods with heavy skins such as potatoes, whole squashes, apples and chestnuts before cooking.
13. The contents of feeding bottles and baby jars should be stirred or shaken and the temperature should be checked before serving in order to avoid injury or burns.
14. Cooking utensils may become hot because of heat transferred from the heated food. Potholders may be needed to handle the utensil.
15. Utensils should be checked to ensure that they are suitable for use in the microwave oven.
16. **WARNING!** It is hazardous for anyone other than a trained person to carry out any service or repair which involves the removal of any cover which provides protection against exposure to microwave energy.
17. This Microwave complies with EN 55011/CISPR 11, in this standard it belong to Class B Group 2 classification. Group 2 equipment: group 2 contains all ISM RF equipment in which radio-frequency energy in the frequency range 9 kHz to 400 GHz is intentionally generated and used or only used locally, in the form of electromagnetic radiation, inductive and/or capacitive coupling, for the treatment of material, for inspection/analysis purposes, or for transfer of electromagnetic energy. Class B equipment is equipment suitable for use in locations in residential environments and in establishments directly connected to a low voltage power supply network which supplies buildings used for domestic purposes.
18. Children should be supervised to ensure that they do not play with the appliance.
19. The microwave oven is only used while freestanding.
20. **WARNING!** Do not install oven over a range cook top or other heat-producing appliance. if installed in such locations, could damage the appliance and void the warranty.
21. The microwave oven should not be placed in a cabinet.
22. The door or the outer surface may get hot when the appliance is operating.

IMPORTANT SAFETY INFORMATION (continued)

23. **WARNING!** Accessible parts may become hot during use. Young children should be kept away.
24. During use the appliances becomes hot. Care should be taken to avoid pressing heating elements inside the oven.
25. The temperature of accessible surfaces may be high when the appliance is operating.
26. **WARNING!** If the door or door seals are damaged, the oven must not be operated until it has been repaired or replaced by the manufacturer or a qualified service agent.
27. The appliance is not intended to be operated by means of an external timer or separate remote-control system.
28. The microwave oven is for indoor domestic use only and not intended for commercial use.
29. Never remove the distance holder in the back or on the sides, as it ensures a minimum distance from the wall for air circulation.
30. Please secure the turntable before you move the appliance to avoid damage.
31. **CAUTION!** Never attempt to perform repairs or service on the microwave oven. If any part prevents normal operation, contact the manufacturer or a qualified service technician.
32. The microwave oven is intended for defrosting, cooking and steaming of food only.
33. Use heat resistant gloves if you remove any heated food.
34. **CAUTION!** Steam will escape, when opening lids or wrapping foil.
35. Never place metal objects or utensils inside the oven while in operation.

INSTALLATION INSTRUCTIONS

1. Make sure that all the packing materials are removed from the inside of the microwave.
2. **WARNING!** Before installation, check the oven for any damage. Check for misaligned or bent door, damaged door seals and sealing surfaces, broken or loose door hinges, latches and dents inside the cavity or on the door. If there is any damage, do not operate the oven and contact the manufacturer or a qualified service technician.
3. This microwave oven must be placed on a flat, stable surface to hold its weight and the weight of the heaviest food intended to be cooked in the oven.
4. Do not place the oven where heat, moisture, or high humidity are generated, or near combustible materials.
5. For correct operation, the oven must have sufficient airflow. Allow minimum 20cm of space above the top surface of the oven and 5cm at both sides. The microwave oven rear plate must be placed close to the wall. Do not cover or block any openings on the appliance. Do not remove any of the attached feet.
6. Do not operate the oven without the glass tray, roller support, and shaft in their proper positions.
7. Make sure that the power supply cord is undamaged and does not run under the oven or over any hot or sharp surfaces.
8. The power socket must be readily accessible so that it can be easily unplugged in an emergency.
9. Do not use the oven outdoors.

RADIO INTERFERENCE

Operation of the microwave oven can cause interference to your radio, TV, or similar equipment. When there is interference, it may be reduced or eliminated by taking the following measures:

1. Clean the microwave oven door and sealing surfaces.
2. Reorient or relocate the receiving antenna of the affected radio or television.
3. Relocate the microwave oven with respect to the receiver of the radio or television.
4. Move the microwave oven away from the receiver of the radio or television.
5. Plug the microwave oven into a different outlet that is connected to a different power circuit than affected devices.

BEFORE CALLING SERVICE

Before asking for service, please check each item below:

- Check to ensure the oven is plugged in securely. If not, remove the plug from the outlet, wait 10 seconds, and plug it in again securely.
- Check for a blown circuit fuse or a tripped main circuit breaker. If these are operating properly, test the outlet with another appliance to ensure the outlet is working correctly.
- Check to ensure the control panel is programed correctly and the time is set.
- Check to ensure the door is securely closed, engaging the door lock system and there is no obstruction. If the door is not properly closed, the microwave will not function.

IF NONE OF THE ABOVE RECTIFIES THE SITUATION, THEN CONTACT A QUALIFIED TECHNICIAN. DO NOT TRY TO ADJUST OR REPAIR THE OVEN YOURSELF.

For more information, please refer to REPAIRS, SERVICE & WARRANTY at the back of this manual.

COOKING TIPS

1. For best results, arrange food carefully. Place thickest areas towards the outside of the dish.
2. Watch the cooking time. Cook for the shortest amount of time indicated and add more as needed. Food severely overcooked can smoke or ignite.
3. Cover foods while cooking. Covers prevent spattering and help foods to cook evenly.
4. Turn food over once during microwave cooking to speed cooking of certain foods as chicken and hamburgers. Large items like roasts must be turned over at least once.
5. Rearrange foods such as meatballs halfway through cooking both from top to bottom and from the center of the dish to the outside.

COOKING UTENSIL GUIDE

1. Microwaves cannot penetrate metal. Only use utensils that are suitable for use in microwave ovens. Metallic containers for food and beverages should not be used for microwave cooking.
2. Microwaves cannot penetrate metal, so metal utensils or dishes with metallic trim should not be used.
3. Do not use recycled paper products when microwave cooking, as they may contain small metal fragments which may cause sparks and/or fire.
4. Round or oval dishes have better cooking results rather than square / oblong containers as they tend to overcook.
5. Narrow strips of aluminum foil may be used to prevent overcooking of exposed areas. But be careful don't use too much and keep a distance of 2.54cm (1 inch) between foil and cavity.

The list below is a general guide to help select the correct utensils and cookware for each cooking mode.

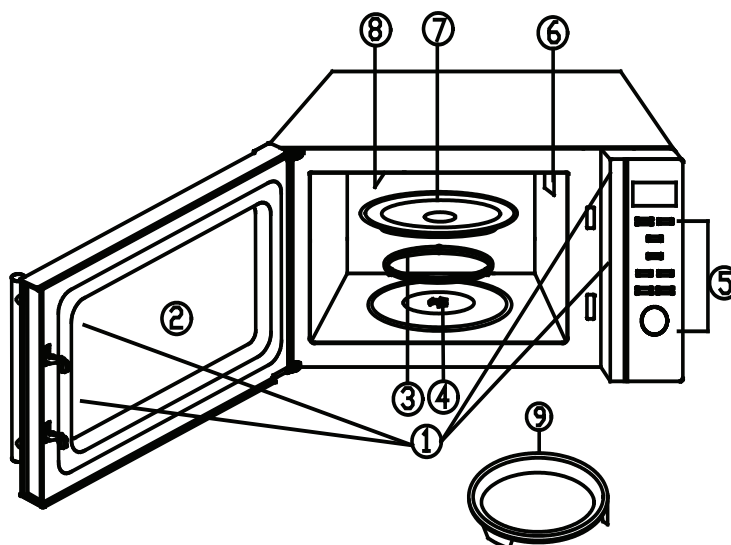
Cookware	Microwave	Grill	Convection	Combination*
Heat-Resistant Glass	Yes	Yes	Yes	Yes
Non Heat-Resistant Glass	No	No	No	No
Heat-Resistant Ceramics	Yes	Yes	Yes	Yes
Microwave-Safe Plastic Dish	Yes	No	No	No
Kitchen Paper	Yes	No	No	No
Metal Tray	No	Yes	Yes	No
Metal Rack	No	Yes	Yes	No
Aluminum Foil & Foil Container	No	Yes	Yes	No

* Combination: applicable for both "microwave+grill", and "microwave+convection" cooking.

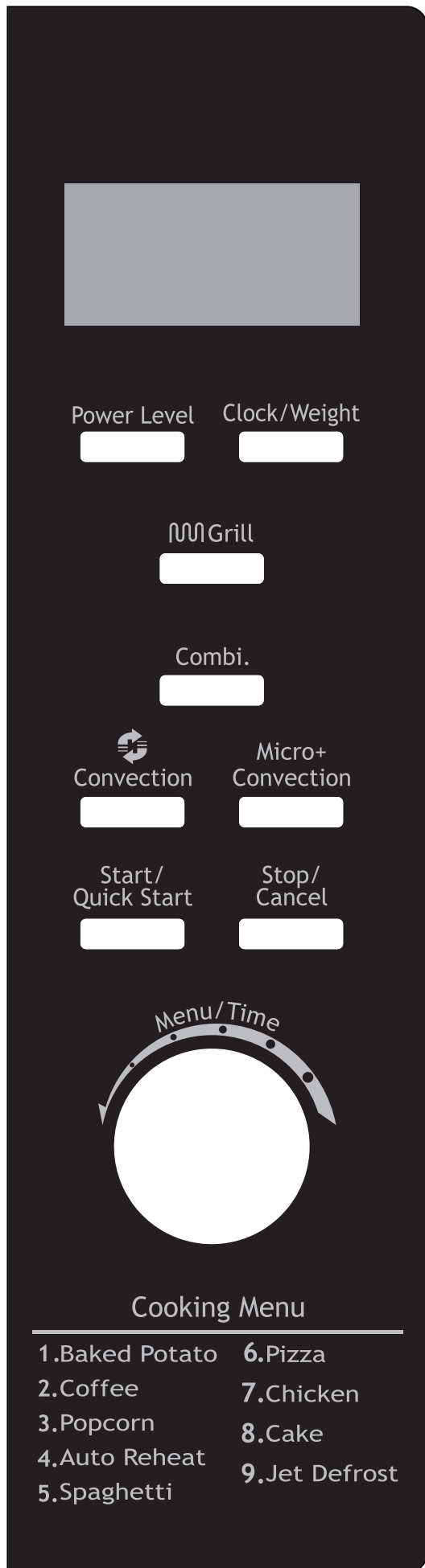
NAME OF PARTS

1. Door Safety Lock System
2. Oven Window
3. Roller Ring
4. Shaft
5. Control Panel
6. Wave Guide (Please do not remove the mica plate covering the wave guide)
7. Glass Tray
8. Grill Heater
9. Bake Tray

NOTE: Provided tray is metal and not for microwave use.



CONTROL PANEL



- **DISPLAY SCREEN**
Cooking time, power, indicators and clock time are displayed.
- **POWER LEVEL**
Press to set microwave cooking power level.
- **CLOCK/WEIGHT**
Press to set clock time.
Press to set food weight or servings.
- **GRILL**
Press to set grill cooking program.
- **COMBI.**
Press to set microwave and grill combination cooking programs.
- **CONVECTION**
Press to set convection cooking program.
- **MICRO+CONVECTION**
Press to set microwave and convection combination cooking programs.
- **START/QUICK START**
Press to start cooking programs.
Simply press it a number of times to set cooking time and cook immediately at full power level.
- **STOP/CANCEL**
Press once to temporarily stop cooking, or twice to cancel cooking altogether.
It is also used to set child lock.
- **MENU/TIME (dial)**
Turn to set time and select auto cooking menus.

OPERATING INSTRUCTIONS

- When plugging in the oven for the first time, a beep will sound, the display will show "1:00" and "CLOCK".
- After the initial start-up process, after about 20 seconds, the oven will return to standby mode.
- During cooking, if STOP/CANCEL button is pressed once, the program will be paused, then press START/QUICK START to resume. If STOP/CANCEL button is pressed twice, the program will be canceled.
- After cooking ends, the display will show END and a beep will sound every two minutes until any button is pressed or the door is opened.
- During operation, pressing a valid button the oven will beep once. If an invalid button is pressed, a beep will sound twice.
- The control system of the microwave oven has the feature of cooling. As for any cooking mode which cooking time above 2 minutes, open the oven door or in stand-by, the oven fan will operate for about 3 minutes automatically to cool the oven to prolong the life of the oven.

SETTING THE CLOCK

This is a 24- and 12- hour clock. You can choose by pressing the CLOCK/WEIGHT button.

1. In standby mode, press CLOCK/WEIGHT button once or twice to select 24- or 12- hour clock.
2. Turn MENU/TIME dial until the correct hour is displayed.
3. Press CLOCK/WEIGHT button once.
4. Turn MENU/TIME dial until the correct minute is displayed.
5. Press CLOCK/WEIGHT button to confirm.

NOTE: During cooking, you can check the current clock time by pressing CLOCK/WEIGHT button.

EXPRESS COOKING

Use this feature to program the oven to microwave food at 100% power. In standby mode, press START/QUICK START button repeatedly to set cooking time. The oven starts working automatically at full power. The longest cooking time is 10 minutes.

MICROWAVE COOKING

1. In standby mode, press POWER LEVEL button repeatedly to select a power level.
2. Turn MENU/TIME dial to enter a cooking time. The longest time is 95 minutes.
3. Press START/QUICK START button to confirm.

Press POWER LEVEL button repeatedly to select power level:

Press POWER LEVEL	Power (Display)	Press POWER LEVEL	Power (Display)
Once	100% (P-HI)	7 times	40% (P-40)
Twice	90% (P-90)	8 times	30% (P-30)
3 times	80% (P-80)	9 times	20% (P-20)
4 times	70% (P-70)	10 times	10% (P-10)
5 times	60% (P-60)	11 times	0% (P-00)
6 times	50% (P-50)		

NOTE: During cooking, you can check the current cooking power level by pressing POWER LEVEL button.

GRILL

Grill cooking is particularly useful for thin slices of meat, steaks, chops, kebabs, sausages and pieces of chicken. It is also suitable for hot sandwiches and potato bake type dishes.

1. In standby mode, press GRILL button once.
2. Turn MENU/TIME dial to enter cooking time. The longest time is 95 minutes.
3. Press START/QUICK START button to confirm.

COMBINATION

Combination 1: 30% time for microwave cooking, 70% for grill cooking. Use for fish or potato bake type dishes.

Combination 2: 55% time for microwave cooking, 45% for grill cooking. Use for puddings, omelets, baked potatoes and poultry.

1. In standby mode, press COMBI. button once or twice to select combination 1 or 2.
2. Turn MENU/TIME dial to enter cooking time. The longest time is 95 minutes.
3. Press START/QUICK START button to confirm.

NOTE: During cooking, you can press COMBI. button to check the combination power level.

OPERATING INSTRUCTIONS (continued)

CONVECTION

During convection cooking, hot air is circulated throughout the oven cavity to make crispy food quickly and evenly. This oven has ten different cooking temperatures: 200° → 190° → 180° → 170° → 160° → 150° → 140° → 130° → 120° → 110°. The longest cooking time is 9 hours and 30 minutes.

To cook with convection:

1. In standby mode, press CONVECTION button repeatedly to select a temperature.
2. Turn MENU/TIME dial to enter cooking time.
3. Press START/QUICK START button to start.

NOTE: During cooking, you can check the temperature by pressing CONVECTION button.

To preheat and cook with convection:

Your oven can be programmed to combine preheating and convection cooking operations.

1. In standby mode, press CONVECTION button repeatedly to select a temperature.
2. Press START/QUICK START button once to confirm the temperature. When the oven reaches the programmed temperature, a beep will sound every 5 seconds.
3. Open the door and place container of food at the center of the turntable.
4. Turn MENU/TIME dial to enter cooking time.
5. Press START/QUICK START button to start.

NOTE: The longest preheat time is 30 minutes, and the preheat time cannot be set. When the temperature reaches the preheat temperature, the oven will sound a beep every 5 seconds and if the door is not opened in 30 minutes, the program will end automatically.

MICROWAVE+CONVECTION

This oven has four different combination cooking temperatures: 200° → 170° → 140° → 110°. It's easy to cook with both convection heat and microwave automatically.

1. In standby mode, press MICRO+CONVECTION button repeatedly to select temperature.
2. Turn MENU/TIME dial to enter cooking time. The longest time is 9 hours and 30 minutes.
3. Press START/QUICK START button to confirm.

NOTE: During cooking, you can check the current combination cooking power level by pressing MICRO+CONVECTION button.

JET DEFROST

1. In standby mode, turn MENU/TIME dial anti-clockwise to select the code "09".
2. Press CLOCK/WEIGHT button once.
3. Turn MENU/TIME dial to enter defrosting time. The longest time is 45 minutes.
4. Press START/QUICK START button to confirm.

NOTE: During defrosting, the system will pause and sound beeps to indicate the moment to turn food over. Once this is done, press START/QUICK START button to resume.

MULTI-STAGE COOKING

Your oven can be programmed for up to 3 automatic cooking sequences. Jet defrost can only be set in the first stage.

An example of a cooking program:

Microwave-cooking



Microwave-cooking (with lower power level)

1. Input the first microwave cooking program. Do not press START/QUICK START.
2. Input the second microwave cooking program.
3. Press START/QUICK START button to start.

NOTE: Express cooking, auto cook menus and convection with preheat can't be set in multi-stage cooking.

CHILD LOCK

The child lock prevents unsupervised operation by children.

To set : In standby mode, press and hold STOP/CANCEL button for 3 seconds, then a beep will sound and the lock indicator light will turn on, the oven will enter child lock mode. In the lock state, all buttons are disabled.

To cancel: In child lock mode, press and hold STOP/CANCEL button for 3 seconds, then a beep will sound and the indicator light will disappear.

OPERATING INSTRUCTIONS (continued)

AUTO COOK

For the following food or cooking modes, it is not necessary to program the cooking time and power. It is sufficient to indicate the type of food that you want to cook as well as the weight or servings of this food.

1. In standby mode, turn MENU/TIME dial anti-clockwise once and then continue to turn the dial to select a program code.
2. Press CLOCK/WEIGHT button repeatedly to enter food weight or servings.
3. Press START/QUICK START button to start.

Auto cook menus:

Code	Food	Note
01	Potato (230±10 g/serving, 1-3 servings)	1.For a whole potato, you may need to use microwave keep-fresh PE bag when cooking.
02	Beverage (200 ml/cup, 1-3 cups)	2.For Spaghetti, add water at least eight times the amount of spaghetti.
03	Popcorn (99 g)	3.For Chicken, the oven stops during cooking to turn food over. Press START/QUICK START button to finish the remaining time.
04	Reheat (200-800 g)	4.The result of auto cooking depends on factors such as voltage
05	Spaghetti (100 g, 200 g, 300 g)	fluctuations, the shape and size of food, your personal preference as to
06	Pizza (150 g, 300 g, 450 g)	the doneness of certain foods and even how well you happen to place
07	Chicken (800-1400 g)	food in the oven. If you find the result at any rate not quite satisfactory,
08	Cake (475 g)	adjust the cooking time a little bit according to your personal preference.

CLEANING & MAINTENANCE

1. Turn off the oven and unplug the power cord from the wall when cleaning.
2. Keep the inside of the oven clean. When food splatters or spilled liquids adhere to oven walls, wipe with a damp cloth. Mild detergents may be used if the oven gets overly soiled. Avoid using spray or other harsh cleaners or chemicals. They may stain, streak or dull the door surface.
3. The outside of the oven should be cleaned with a damp cloth. To prevent damage to the operating parts inside the oven, water should not be allowed to seep into the ventilation openings.
4. Wipe the door and window on both sides, the door seals and adjacent parts frequently with a damp cloth to remove any spills or splatters. Do not use abrasive cleaners or chemicals.
5. A steam cleaner is not to be used.
6. Do not allow the control panel to become wet. Clean with a soft, damp cloth. When cleaning the control panel, leave oven door open to prevent oven from accidentally turning on.
7. If steam accumulates inside or around the outside of the oven door, wipe with a soft cloth. This may occur when the microwave oven is operated under high humidity conditions. This is normal.
8. It is occasionally necessary to remove the glass tray for cleaning. Wash the tray in warm sudsy water or in a dishwasher.
9. The roller ring and oven floor should be cleaned regularly to avoid excessive noise. Simply wipe the bottom surface of the oven with mild detergent. The roller ring may be washed in mild soapy water or in a dishwasher. When removing the roller ring, be sure to replace it in the proper position.
10. Remove odors from your oven by combining a cup of water with the juice and skin of one lemon in a microwaveable bowl. Microwave for 5 minutes. Wipe thoroughly and dry with a soft cloth.
11. If the light bulb burns out, please contact a qualified technician to have it replaced.
12. The oven should be cleaned regularly and any food deposits should be removed. Failure to maintain the oven in a clean condition could lead to deterioration of surfaces that could adversely affect the life of the unit and could possibly result in a hazardous situation.
13. Do not dispose of this appliance into domestic rubbish bin; it should be disposed responsibly and in accordance with local council laws and restrictions.
14. When the microwave oven is used for the first time in grill function, it may produce smoke and smell. This is normal, because the oven is made of a steel plate coated with lubricating oil. New ovens will produce fumes and odor generated by burning the lubricating oil. This will soon disappear after a period of use.

TROUBLESHOOTING

OVERHEATING PROTECTION

When the system detects excessively high temperature, the protection status will cause the display of “E01” and continues to beep. After troubleshooting, press STOP/CANCEL button. The system returns to normal standby mode.

LOW TEMPERATURE PROTECTION

When the system detects excessively low temperature, the protection status will display “E02” and continues to beep. After troubleshooting, press STOP/CANCEL button. The system returns to normal standby mode.

SENSOR MALFUNCTION PROTECTION

The system enters into protection mode when a short circuit is detected. The display shows “E03” and continues to beep. After troubleshooting, press STOP/CANCEL button, the system returns to normal standby mode.

SPECIFICATIONS

Power Supply	230-240V/50Hz
Power Consumption (Microwave)	1400W
Power Consumption (Grill)	1250W
Power Consumption (Convection)	2200W
Rated Microwave Power Output	900W
Operation Frequency	2450MHz
Outside Dimensions (mm)	Height 300 Width 539 Depth 456
Oven Cavity Dimensions (mm)	Height 240 Width 354 Depth 358
Oven Capacity	30 Liters
Net Weight	Approx. 17.5kg

REPAIRS, SERVICE & WARRANTY

It is hazardous for anyone installing, removing, altering, repairing, servicing or testing of this appliance.

Only an Authorised Service Person can carry out servicing or repairs to this appliance.

IF SERVICE IS REQUIRED:

If you have a problem, and the problem persists after you have made the checks mentioned in this manual, contact:

TECO Australia's Service on 1300 660 037 (8:30am - 4pm Mon~Fri AEST)

For warranty details please visit www.teco.com.au

Service Email : had.service@teco.com.au

Spare Parts : had.parts@teco.com.au

Did you know?

TECO Australia's product range also includes:

- ◆ Top Load Clothes Washers
- ◆ Front Load Clothes Washers
- ◆ Twin Tub Clothes Washers
- ◆ Auto Sensing Heat Pump and Vented Clothes Dryers
- ◆ Refrigerators
- ◆ Chest and Vertical Freezers
- ◆ Bar Fridges
- ◆ Televisions
- ◆ Air Curtains
- ◆ Air Conditioners

Visit **www.teco.com.au** for our full range.



WARRANTY INFORMATION

Teco's warranty information for the product purchased is available at www.teco.com.au.

A copy of the warranty may also be obtained by contacting Teco's Warranty and Service Department on 1300 660 037 during business hours (Mon - Fri 8.30am – 4pm AEST).

To arrange for servicing of a Teco product, please contact our Warranty and Service Department on 1300 660 037 during business hours (Mon - Fri 8.30am – 4pm AEST).

To assist in processing any warranty claim that you may have Teco recommends that you:

1. Complete the following information in relation to your purchase:

Name of retailer: _____

Name of owner: _____

Date of purchase: _____

Model No. : _____

Serial No. : _____

MFG code: _____

2. Retain proof of your purchase for any warranty claim. Ideally this proof of purchase will be the tax invoice issued for your purchase.

3. Complete the following information in relation to the person that installed your Teco appliance (if applicable):

Installer's name: _____

Telephone No.: _____

Licence No.: _____

