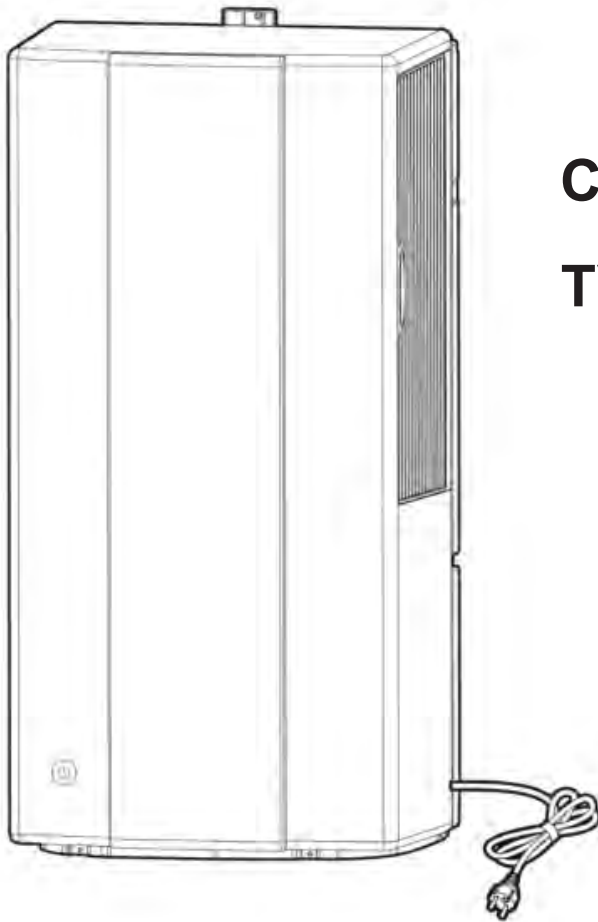




The Comfortable Choice

INVERTER VERTICAL SKINNY
WINDOW ROOM AIR CONDITIONER

Installation Instructions

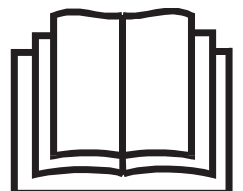


Cooling Only Model:
TVS32CVUVAH

IMPORTANT NOTE:

Thank you for selecting a TECO quality Air Conditioner. Please read this manual carefully before installing or operating your new appliance. Make sure to keep this manual for future reference.

The design and specifications are subject to change without prior notice for product improvement.



CONTENTS

| | |
|--|----|
| Precautions Before Installation | 1 |
| Installation Preparation Tool | 2 |
| Window Kit Parts Description | 2 |
| Window Installation Instructions | 3 |
| Complete Diagram | 4 |
| Frame Installation Method And Steps | 5 |
| Special Window Installation Method | 7 |
| Installation Method And Steps Of The Vertical Window Room Air Conditioner | 9 |
| Sliding Window Stopper Installation | 10 |
| Dismount The Window Room Air Conditioner | 10 |

Precautions Before Installation

Safety

1. Read this manual carefully before use. Follow instructions and keep the manual for future reference.
2. This appliance is not intended for use by persons (including children) with reduced physical, sensory or mental capabilities, or lack of experience and knowledge, unless they have been given supervision or instruction concerning use of the appliance by a person responsible for their safety.
3. Young children should be supervised to ensure that they do not play with the appliance.
4. The installation should be carried out by two persons.

Install Location

1. The appliance is specifically manufactured for domestic use only. The appliance has not been designed or manufactured for professional use. TECO declines all responsibility for damage derived from improper use of the appliance.
2. Do not install it in an explosion-hazardous or corrosive environment.
3. Do not put the appliance near heat generating devices (such as stoves, fan heaters, etc.).
4. Choose a location where there is no obstruction to airflow, and the entire room can be conditioned from its central location.
5. Keep electronic devices such as televisions and radios away from air conditioners by at least 1m.

Noise

1. During installation, choose a suitable place that can withstand the weight of the air conditioner without causing excessive noise and vibration.
2. Be sure that the external hot/cold air turbulence won't disturb your neighbors.
3. Do not place anything near the air outlet, which will reduce performance and increase noise.
4. If you hear abnormal sounds whilst using the air conditioner, consult service provider.

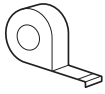
Electrical Safety

1. Please make sure the machine is connected to properly grounded power outlet.
2. Do not use any extension cords, power boards or adapters to connect this appliance. Extension leads do not guarantee the required safety of the appliance (e.g. danger of overheating, this can result in fire and/or electric shock).
3. Do not damage or modify the power cord or plug. Do not tamper with, coil or twist the power cord.
4. Do not place heavy items on the power cord or subject the power cord to heat.
5. If the power cord is damaged, it must be replaced by the authorised service agent.
6. Insert the plug firmly into the power outlet socket. If the plug is not fully inserted into the power outlet socket, electric arcing may occur which in turn may cause fire and/or electric shock.
7. Do not modify or alter the design of the appliance in any way.
8. Do not splash or pour water on the air conditioner. It may cause short circuit, electric shock or damage to the air conditioner.
9. Should a malfunction occur (a smell of burning, etc.), switch off the appliance and unplug it from the power outlet socket.
Continuing to operate a malfunctioning appliance may result in fire, electric shock, and further malfunction. Contact your dealer or TECO Service Centre for advise.

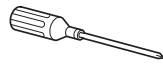
NOTE: All images, illustrations and photos contained in this manual are for illustration purposes only and may differ from your appliance.

Installation Preparation Tool

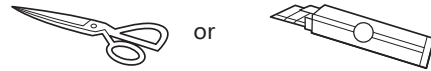
◆ Tape measure



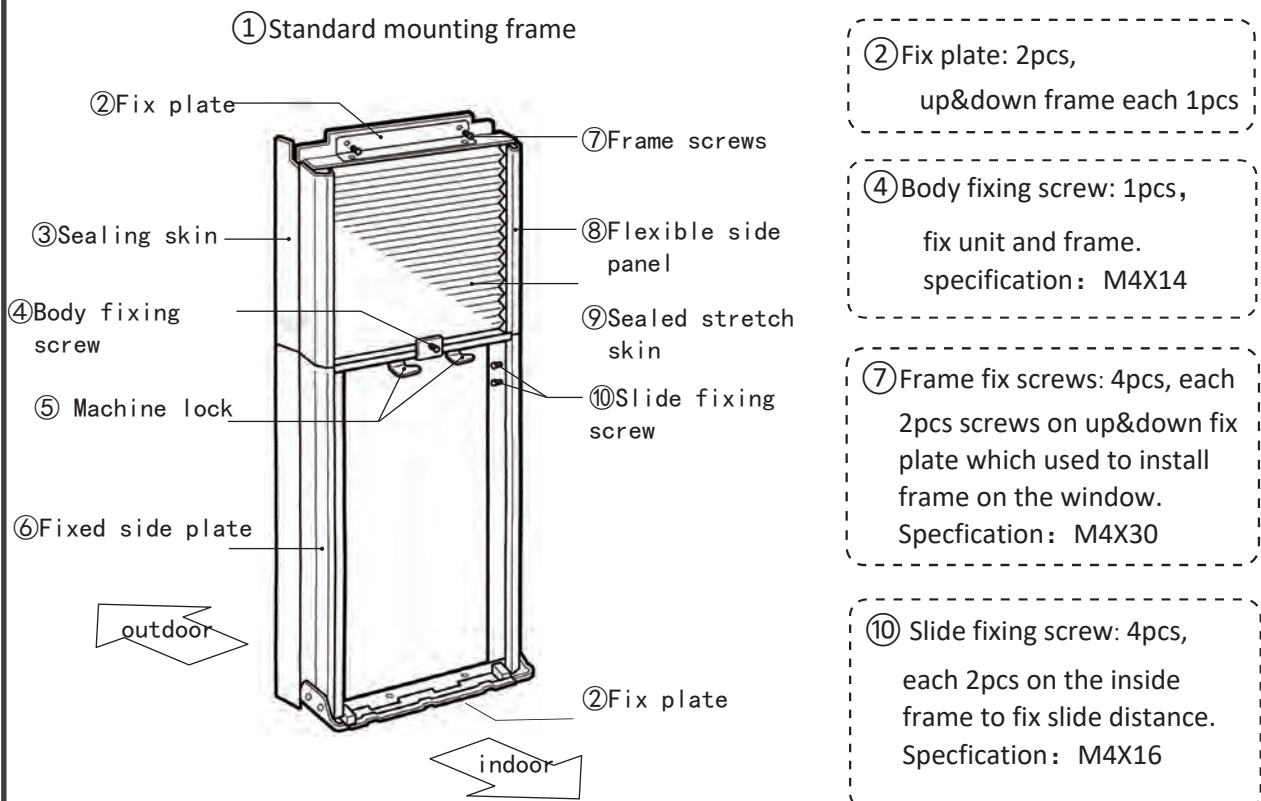
◆ Screwdriver



◆ Scissors or utility knife



Window Kit Parts Description



⑪ Sealing sponge
Annex;
It can be used in places where air leakage is possible after installation is completed to make it more sealed.

⑫ Window protection board: 2pcs
Annex;
It is used to install the bracket between the window and the screw to prevent the screw from directly contacting the window and causing damage to the window.

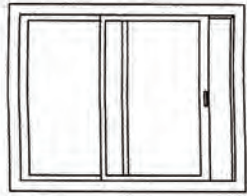
⑬ Corrugated drainage pipe
Annex;
to drain water

⑭ Sliding window stopper
Annex;
It is used to secure the position of the sliding window to better maintain the seal between the bracket and the window.

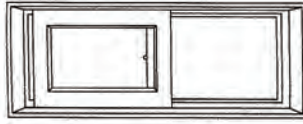
Note: When accessories and parts are not in use, please keep them in a safe place.

Window Installation Instructions

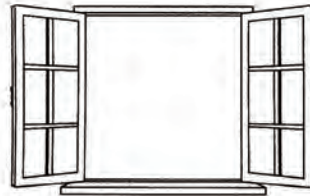
Window type:



(✓)



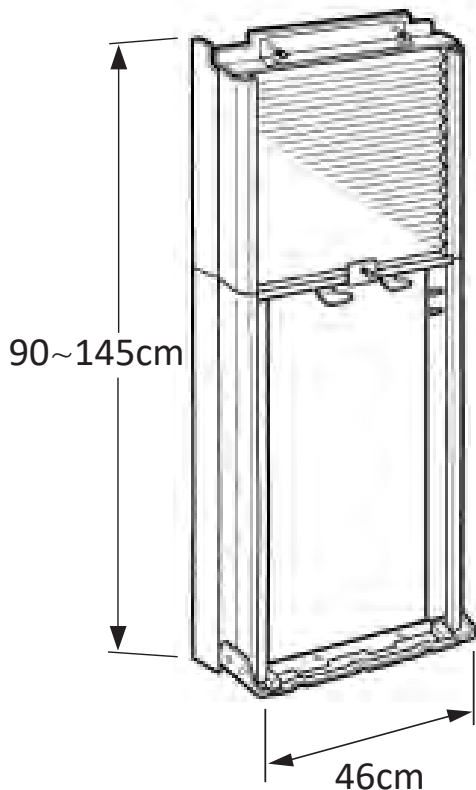
(X)



(X)

- ◆ Window frames must have U channels
- ◆ If there are no U channels, or windows that are difficult to install, please find a professional tradesman to install them.

Window size requirements:



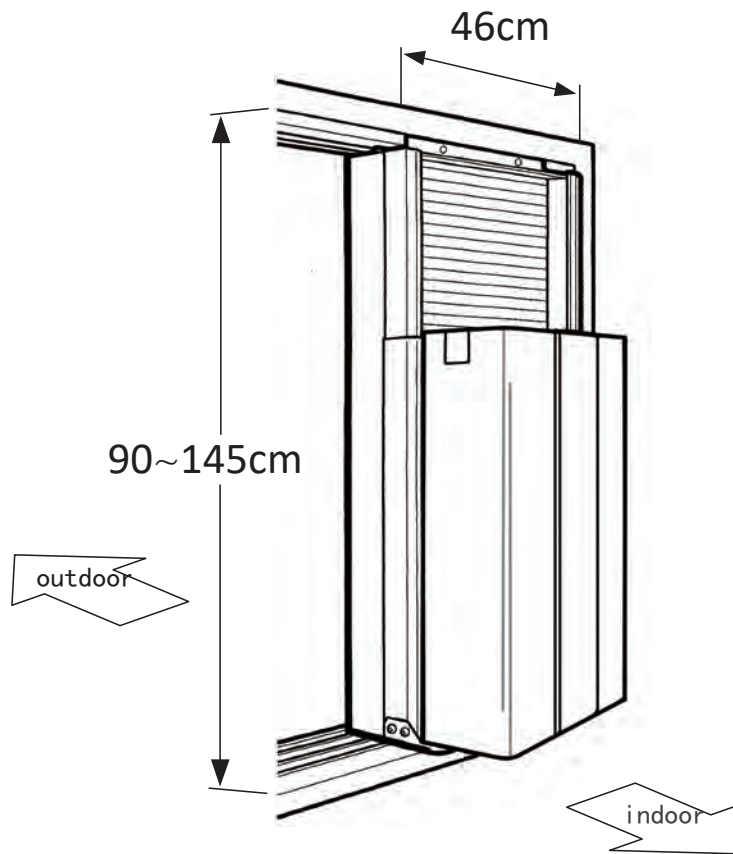
Only use standard mounting frame

1. The opening width of the window should be more than 46 cm.
2. The height of the window opening must be more than 90 cm, and the maximum cannot exceed 145 cm.

NOTE:

- The height of the standard mounting frame should not exceed the height of the window frame to be installed.
- Remove any fly screens fitted to facilitate unobstructed exhaust air flow

Complete Diagram



Choose installation location

- (1). Ensure there are no obstructions in front of the air outlet to allow the even distribution of air throughout the room.
- (2). Ensure there is no heating appliance in room when operating in cooling mode.
- (3). Windows frames are fitted securely and will not cause vibration.
- (4). The unit should not be directly exposed to sunlight or rain.
- (5). Avoid placing the machine directly under the rain water gutter.
- (5). Ensure that hot air from the back of the machine does not blow into windows of adjacent houses.
- (6). Where flammable gases do not leak.

Consider noise during installation

- (1). When installing, choose a location that can withstand the weight of the air conditioner without increasing operating noise or vibration.
- (2). Choose a location so that hot/cold air and driving noise from the outdoor air outlet of the air conditioner does not disturb the neighbors.
- (3). If the outdoor air outlet of the air-cooled air conditioner is obstructed, the system will be less efficient and the noise will increase.
- (4). If you hear any abnormal sounds during use, consult your dealer.

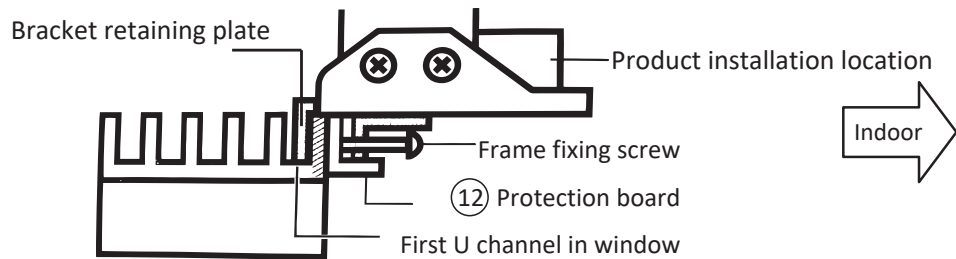
Frame Installation Method And Steps

Installation window position

Open the window to begin installation (both left or right sliding windows can be accommodated).

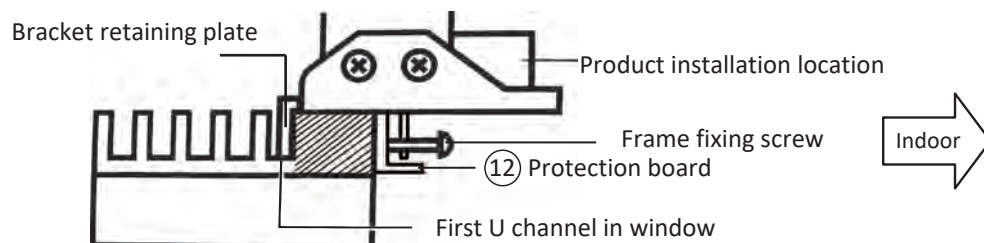
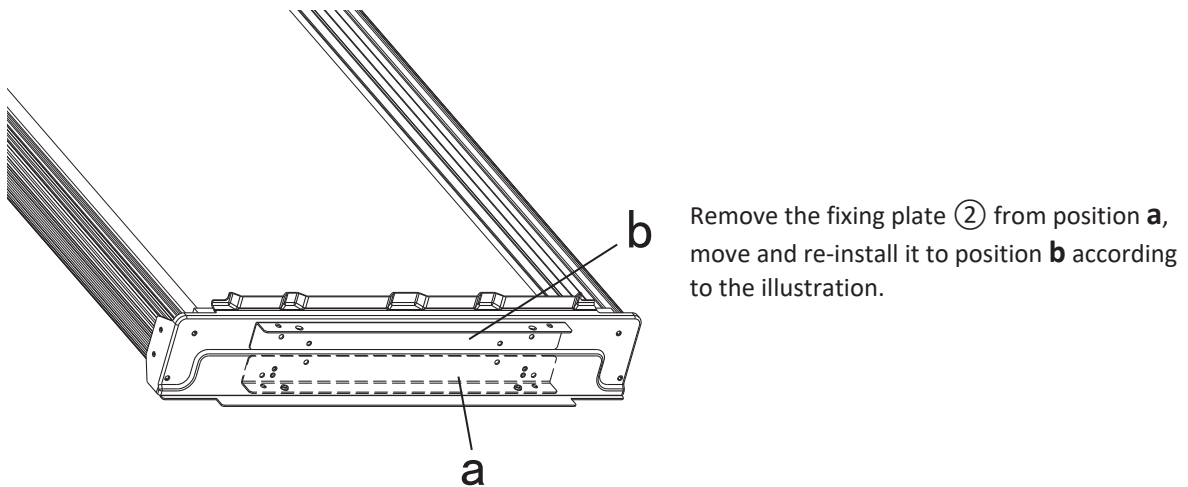
A. If the thickness of the window frame U channel is 1-10mm, install the machine mounting frame with the fixing plate in the original position **a**

(As shown in the diagonal line in the illustration).



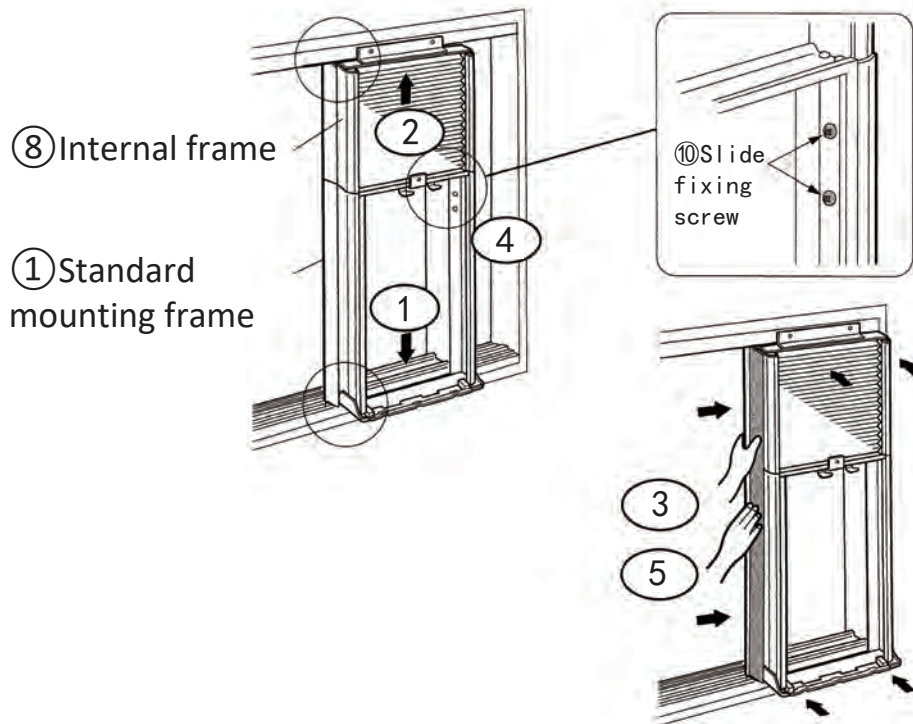
B. If the thickness of the window frame U channel is 10-63mm, then remove and move the fixing plate to position **b**, before installing machine mounting frame

(As shown in the diagonal line in the illustration).



Note: After the internal frame is stretched, the upper fixing plate mounting position should be changed corresponding to U channel thickness as per A or B above.

Frame installation steps

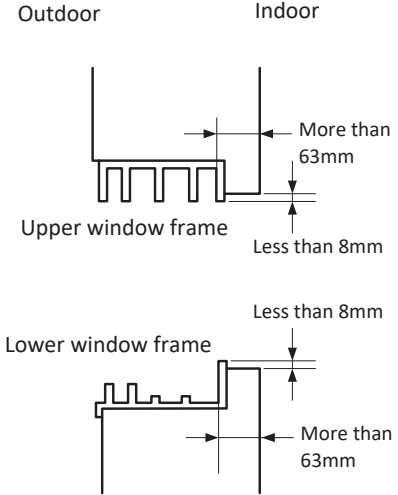
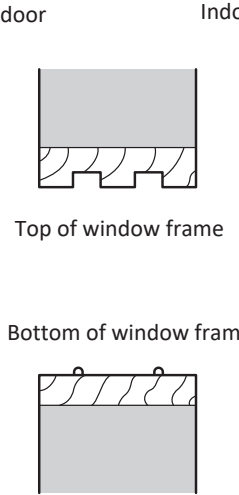
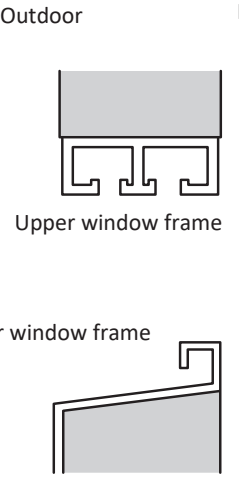
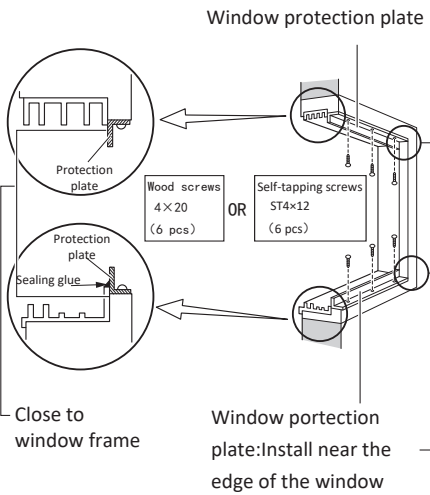
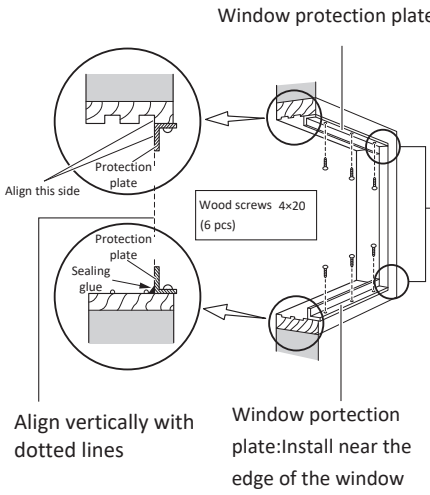
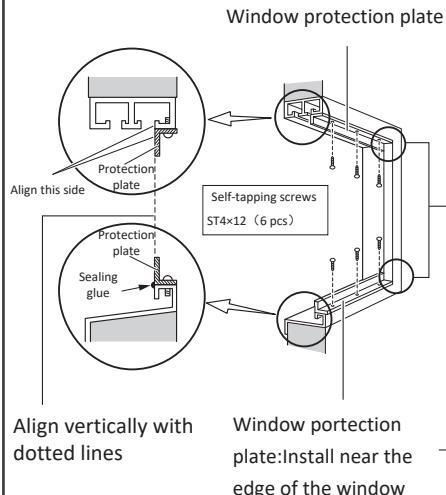


1. When the standard mounting frame is placed on the window, the bracket fixing plate of the mounting frame is installed in the first U channel of the window frame (see the installation window position diagram).
2. To increase the height of the standard mounting frame, stretch the inner frame (8) upward to ensure that the bracket fixing plate at the top of the mounting frame is installed in the first U channel of the upper window frame.
3. Push the standard mounting frame to one side of the window frame and install.
4. On the inner side of the mounting frame, there are two slide fixing screws (10) on each side. After confirming the extension height of the mounting frame, use a Phillips screwdriver to fasten the four slide fixing screws. After the fixing is firm, put the protective plate (12) into the gap between the top and bottom of the window frame and the fixing plate (see the installation window position diagram), and then tighten the upper and lower frame fixing screws to ensure that the standard mounting frame is firmly fixed to the window.
5. After the standard mounting frame is installed, slide the window towards the sealing skin of the mounting bracket, ensure the edge of the sliding window is as close as possible to the sealing skin, and cut the sealing sponge to suitable length to fit the height of the window and affix to seal the gap.

Note: Standard mounting frame (1) When installing, it is necessary to cover the entire height of the window frame.

Special Window Installation Method

1. Installation methods that require window protection panels

| Aluminum window | Wooden window | Iron window |
|--|--|--|
| <p>Outdoor Indoor</p>  <p>Upper window frame</p> <p>Lower window frame</p> | <p>Outdoor Indoor</p>  <p>Top of window frame</p> <p>Bottom of window frame</p> | <p>Outdoor Indoor</p>  <p>Upper window frame</p> <p>Lower window frame</p> <p>Note: Due to the special shape of the actual window, the window may not be closed.</p> |
| <p>Note</p> <p>Use sealing glue (not supplied) between the window protection plate and the window frame on the underside of the window to make it waterproof.</p>  <p>Window protection plate</p> <p>Protection plate</p> <p>Wood screws 4×20 (6 pcs) OR Self-tapping screws ST4×12 (6 pcs)</p> <p>Sealing glue</p> <p>Close to window frame</p> <p>Window portection plate: Install near the edge of the window</p> | <p>Note</p> <p>Install the window protection panel in a position where you can open and close the window. Use sealing glue (not supplied) between the window protection plate on the underside of the window and the window frame to make it waterproof.</p>  <p>Window protection plate</p> <p>Protection plate</p> <p>Wood screws 4×20 (6 pcs)</p> <p>Align this side</p> <p>Sealing glue</p> <p>Align vertically with dotted lines</p> <p>Window portection plate: Install near the edge of the window</p> | <p>Note</p> <p>If the window cannot be closed after proper installation, install it on the left side.</p> <p>Use sealing glue (not supplied) between the window protection plate on the underside of the window and the window frame to make it waterproof.</p>  <p>Window protection plate</p> <p>Protection plate</p> <p>Self-tapping screws ST4×12 (6 pcs)</p> <p>Align this side</p> <p>Sealing glue</p> <p>Align vertically with dotted lines</p> <p>Window portection plate: Install near the edge of the window</p> <p>Note: Drill pilot holes (diameter 3.2-3.4mm)</p> |

2. Install the standard mounting bracket to the window protection plate

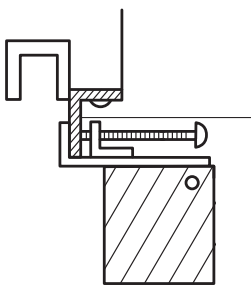
Note: Ensure that the window can be completely closed after installation without hitting the mounting bracket.

Aluminum window

Outdoor

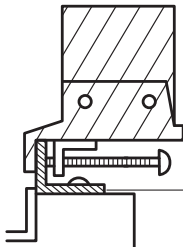
Indoor

Window protection plate



Fix the upper screws (2 pcs)

Fix the lower screws (2 pcs)



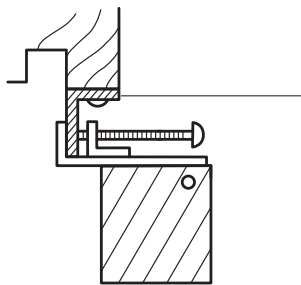
Window protection plate

Wooden window

Outdoor

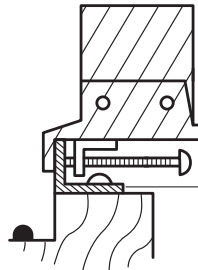
Indoor

Window protection plate



Fix the upper screws (2 pcs)

Fix the lower screws (2 pcs)



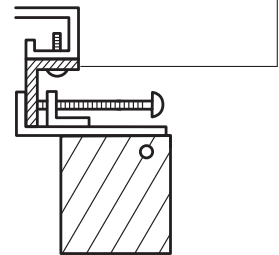
Window protection plate

Iron window

Outdoor

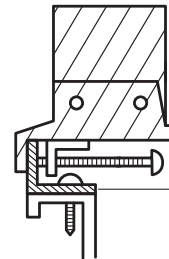
Indoor

Window protection plate



Fix the upper screws (2 pcs)

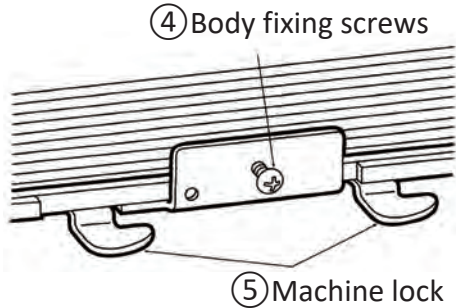
Fix the lower screws (2 pcs)



Window protection plate

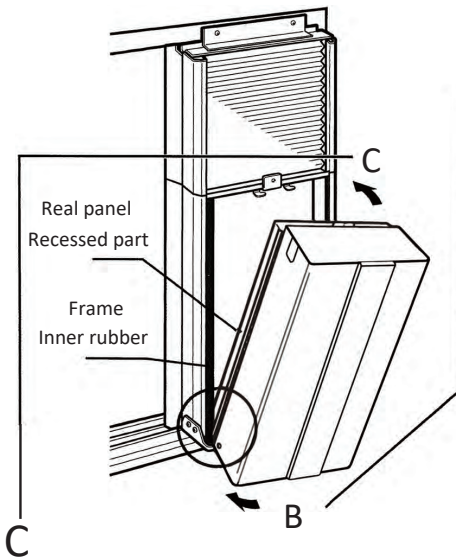
Installation Method And Steps Of The Vertical Window Room Air Conditioner

Note: Commence installation two hours after receiving the product (Refrigerant stability)

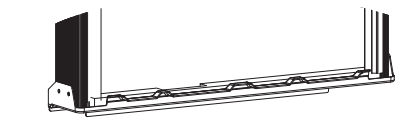


A

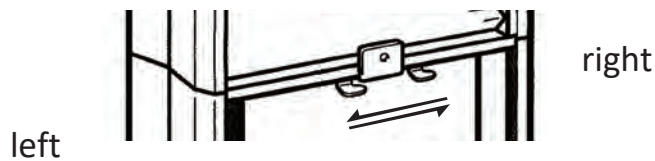
Remove the Body fixing screws from the standard mounting frame and save it.



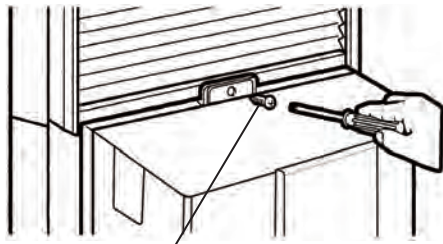
B



Place the base of the air conditioner on to the fixed mounting bracket. Ensure that the two sides of the bottom and the black seals on the two sides of the bracket are attached respectively. Then ensure that the corrugation at the bottom of the bracket snaps into the recess of the chassis and locks in place.



There are two holes in the upper part of the back of the air conditioner. Each hole corresponds to the locking mechanism. After the machine is placed, push the window lock and push the machine lock ⑤ to the left to insert the machine lock into the two holes. After engaging, push the machine lock to the right to ensure that the round hole on the body is aligned with the screw hole on the machine lock.

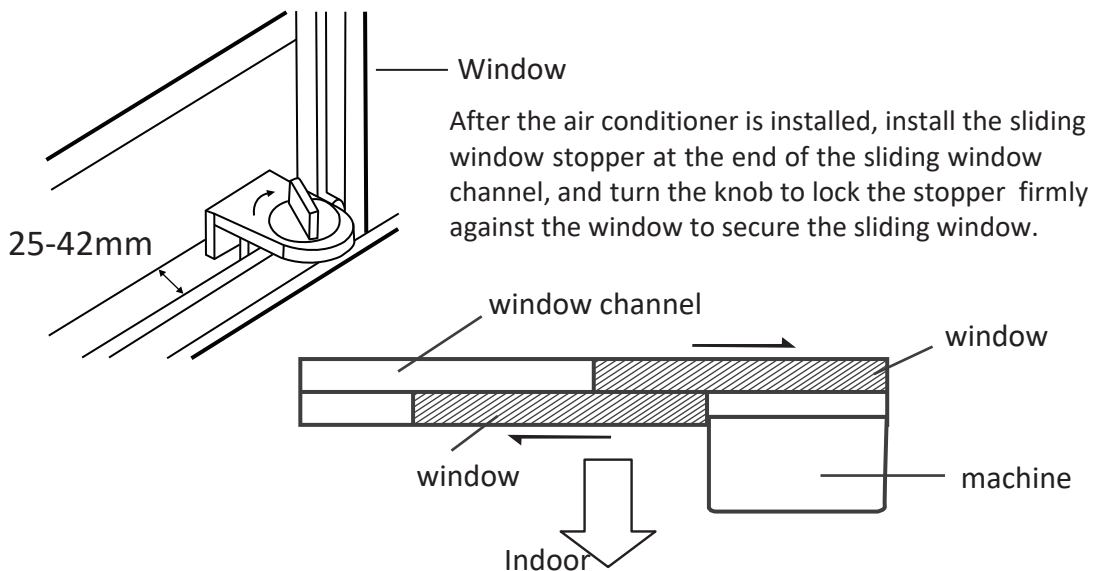


④ Body fixing screws

D After the window room air conditioner is installed on the mounting frame, use a Phillips screwdriver to fix the Body fixing screw to the top of chassis as shown in the figure to ensure that the air conditioner and the bracket are firmly fixed. Upon completion, double check the air conditioner to ensure it is completely safe.

Note: If the body is not completely secured, please check the problem and adjust accordingly

Sliding Window Stopper Installation



Window

After the air conditioner is installed, install the sliding window stopper at the end of the sliding window channel, and turn the knob to lock the stopper firmly against the window to secure the sliding window.

25-42mm

window channel

window

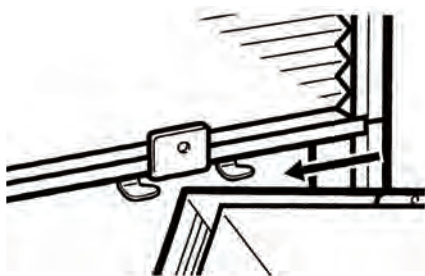
window

machine

Indoor

Note: Depending on the window type, if the air conditioner is not been used for a long period of time, the outside sliding window may be moved across the back of the air conditioner and the inside sliding window can be opened or closed as desired.

Dismount The Window Room Air Conditioner



When dismantling the air conditioner, please work in reverse order of the vertical window air conditioner installation method and steps. Note that after removing the Body fixing screw ④ from the chassis, please hold on to the machine first, and then push the machine lock ⑤ to the left to prevent the machine from falling and causing damage and injury.