

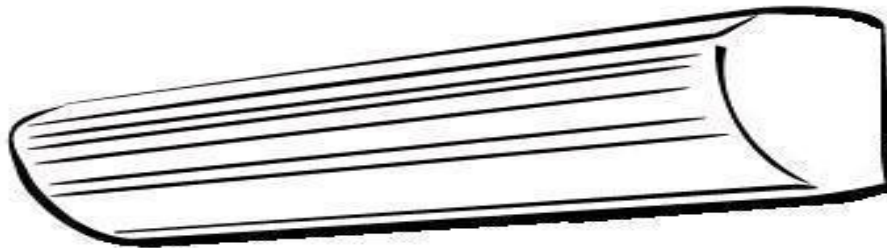


*The Comfortable Choice*

## **AIR CURTAIN**

## **USER & INSTALLATION MANUAL**

## **PNN-K SERIES**



**Thank you for selecting our quality Air Curtain. To ensure satisfactory operation for many years to come. This User's/Installation Manual should be read carefully before using your air curtain. After reading, store it in a safe place. Please refer to the manual for questions on the use or in the event that any irregularities occur.**

# ***PRECAUTIONS***

**Particular attention should be paid to these precautions. Read the entire manual carefully as it will help to protect your equipment and avoid serious injury.**

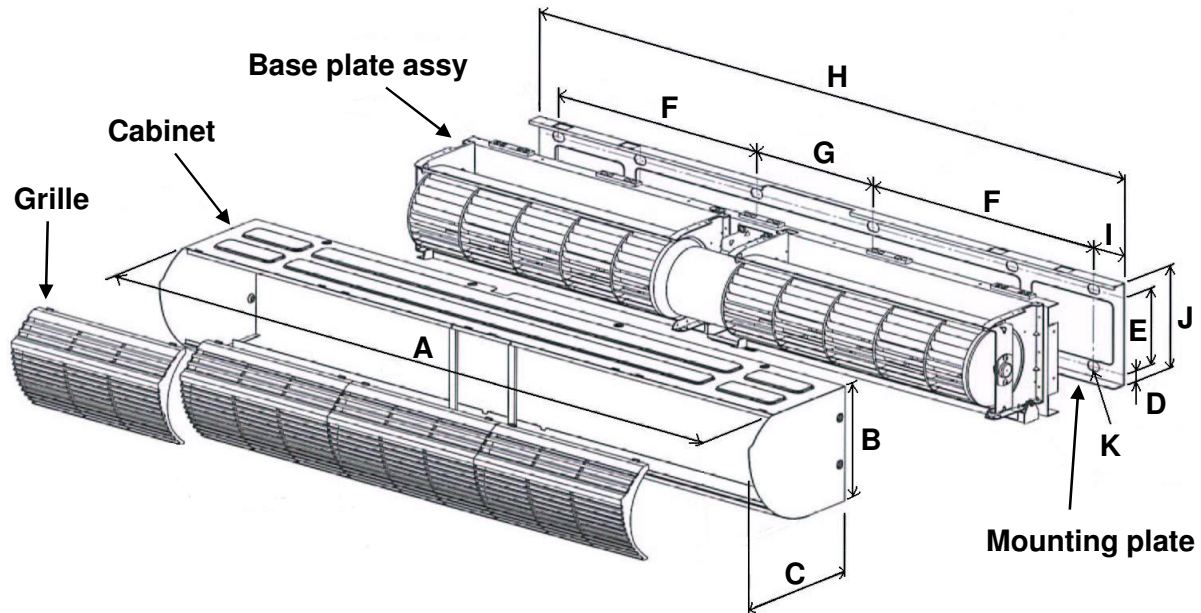
- ⊙ Always use the specified power supply (voltage and frequency) indicated on the unit.
- ⊙ Always use the on/off power switch to operate the unit. Never attempt to stop or start the unit by disconnecting the power cord.
- ⊙ Never pour water or any other fluid into the unit when cleaning.
- ⊙ Never insert objects into outlet vane and grilles.
- ⊙ After completing installation work, make sure that the power plug is inserted into the power socket.
- ⊙ Install the air curtain at a place that can withstand its weight.
- ⊙ Use the correct power socket. Make the connections securely so that any force to the power cord is not applied to the power socket.
- ⊙ Always use the correct motor, capacitor, switch, and other accessories specified by TECO.
- ⊙ When moving and reinstalling the air curtain, consult the dealer or an authorised technician
- ⊙ Do not install the unit in a place where there is a possibility of flammable gas leaks.

## **WARNING:**

The product must be installed in compliance with the Building Code of Australia or any other similar standard or code. The customer/contractor is solely responsible for ensuring that the equipment Installed, complies with any relevant code or standard.

# OUTLINES AND DIMENSIONS

© PNN-K series feature :

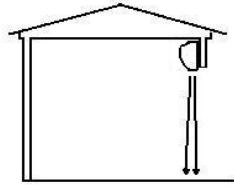


© PNN-K SERIES unit dimension & weight :

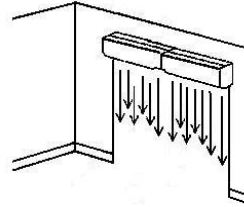
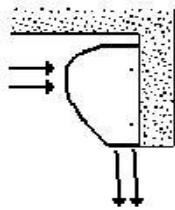
Item		PNN-K330	PNN-K340	PNN-K430	PNN-K440
A	mm	910	910	1212	1212
B	mm	196	196	196	196
C	mm	236	236	236	236
D	mm	25	25	25	25
E	mm	122	122	122	122
F	mm	299	299	450	450
G	mm	200	200	200	200
H	mm	896	896	1198	1198
I	mm	45	45	45	45
J	mm	177	177	177	177
K (Hole)	mm	12x22	12x22	12x22	12x22
Net weight	kg	16.4	16.4	20.6	20.8

# SELECTING THE INSTALLATION LOCATION

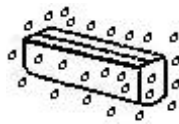
- ⊙ Install air curtain on the inner side of the door frame.
- ⊙ Width of air curtain/s should be equal to or wider than the width of door.



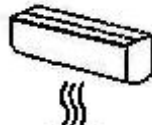
- ⊙ Install the unit in a sturdy place free from vibration. (It may otherwise cause resonance or noise, or even damage to the parts.)
- ⊙ Air delivery vent should be situated as near the wall as possible.
- ⊙ Allow no gap between the air curtain and the wall.



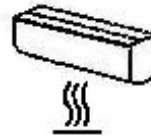
- ⊙ If the unit is installed too high, it may affect the airflow velocity at the floor.
- ⊙ Do not install the unit in a place where it maybe splashed by water, or exposed to excessive steam, explosive gas or corrosive gas.



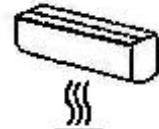
WATER



STEAM



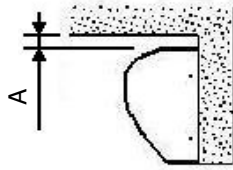
EXPLOSIVE  
GAS



CORROSIVE  
GAS

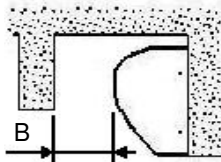


- ⊙ If there is an obstacle above, the air curtain must be installed as shown in the diagram



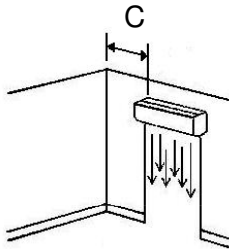
NOTE :  $A \geq 50\text{mm}$

- ⊙ If there is an obstacle ahead, the air curtain must be installed as shown in the diagram



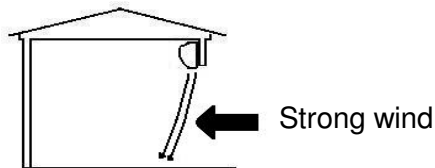
NOTE :  $B \geq 250\text{mm}$

- ⊙ If there is an obstacle at the left or right, the air curtain must be installed as shown in the diagram.

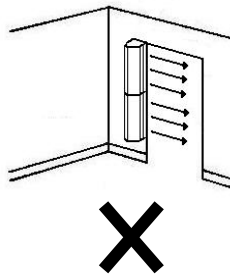


NOTE :  $C \geq 250\text{mm}$

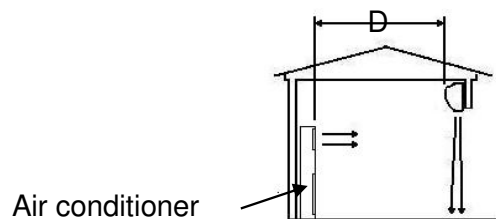
- ⊙ Avoid strong wind entering the indoor.



- ⊙ Do not install the air curtain vertically.



- ⊙ It must have a minimum (see Note) between the air conditioner and the air curtain.

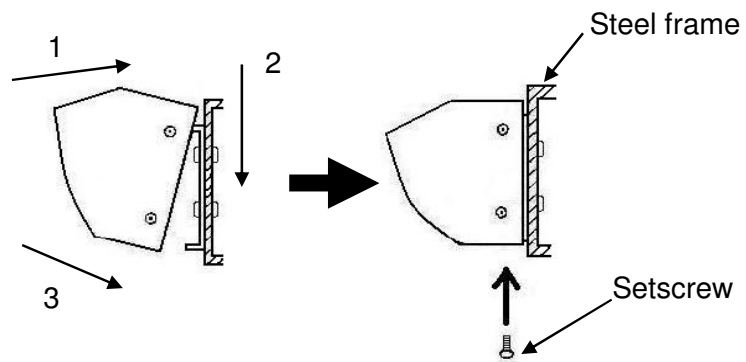
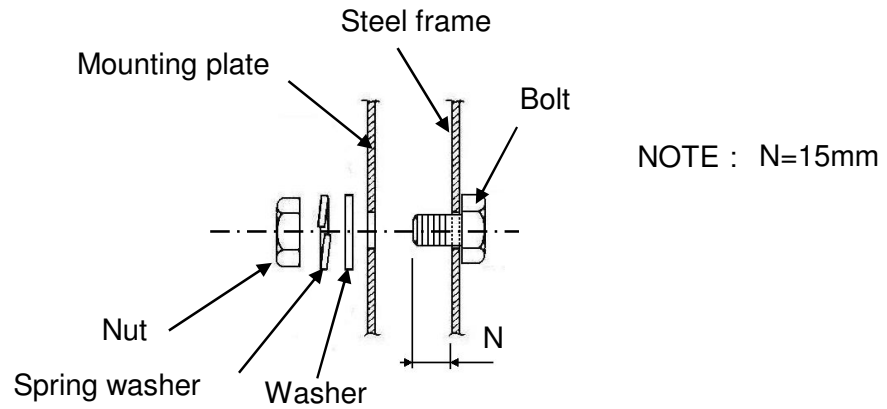


NOTE :  $D \geq 5.0\text{m}$

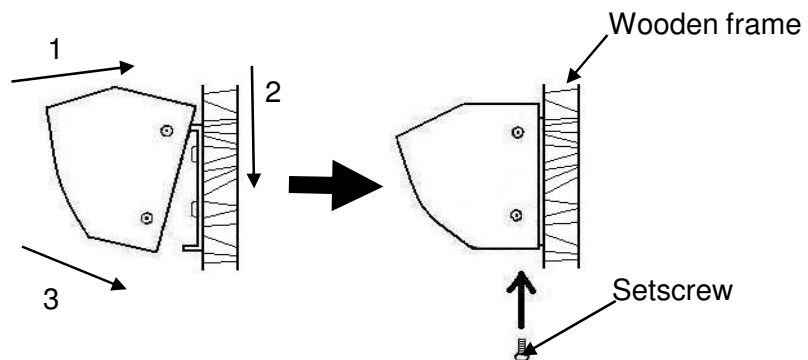
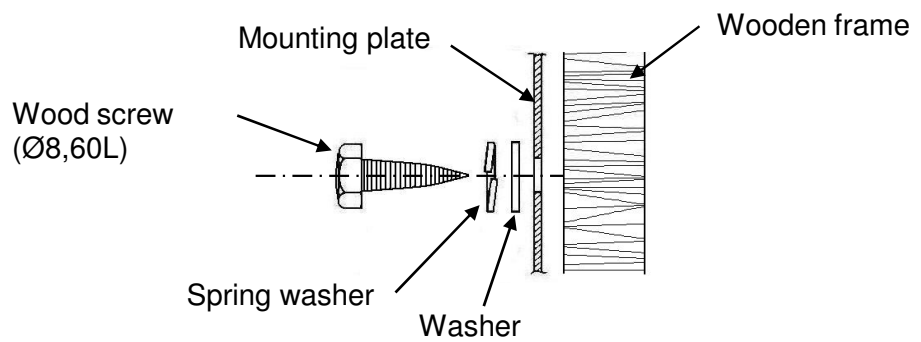
# HOW TO INSTALL

**Note: All fixing hardware field supplied:**

- ⊙ Mounting on steel frame.



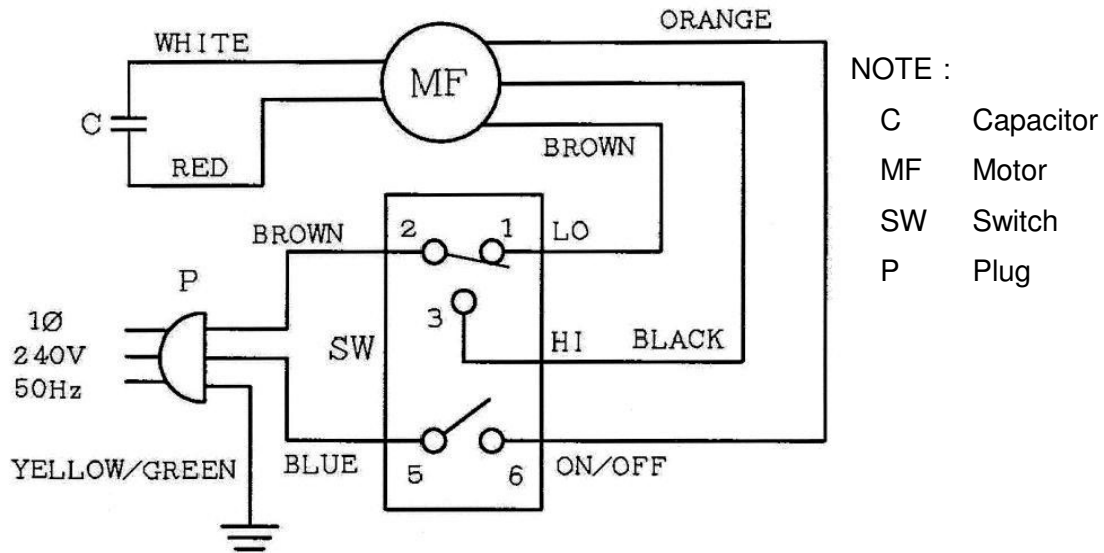
- ⊙ Mounting on wooden frame.



# ELECTRIC WORK

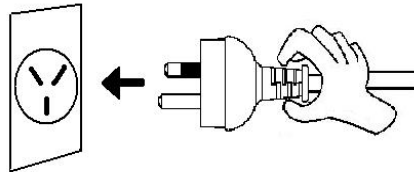
All equipment must be installed in compliance with your local electricity authority regulations.

## 1.Wiring diagram :



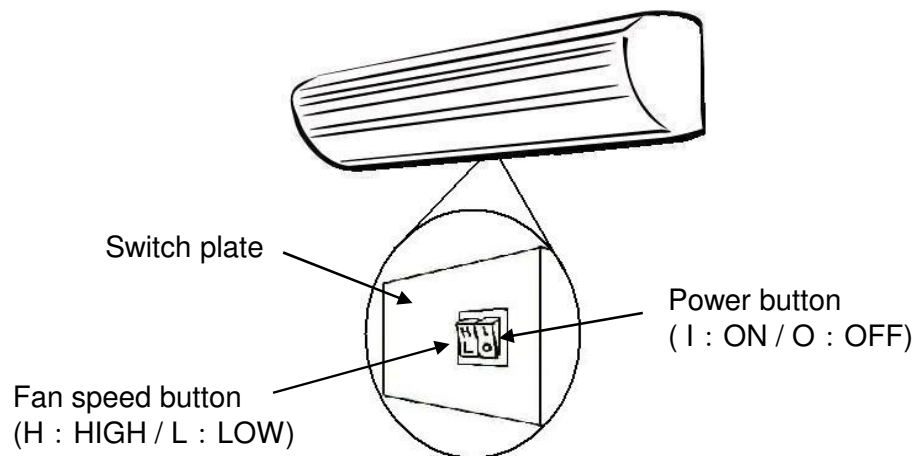
## 2.Connecting to power supply:

- ⦿ Make sure that the supply voltage is the same as shown on the rating plate attached to the product before inserting the plug into the power socket.
- ⦿ When connecting the power cord, hold the plug of the power cord.
- ⦿ Insert the power plug into the power socket.



## 3.Operation :

- ⦿ Turn on the power switch.
- ⦿ Select the air speed High(H) or Low(L).

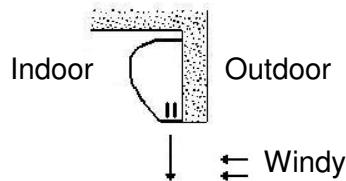


# AIR FLOW ADJUSTMENTS

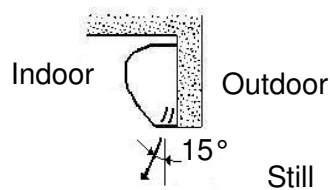
1. The direction of air flow affects the efficiency of the air curtain. Please follow these instructions for maximum efficiency. The directional air flow louvres can be easily adjusted.

2. Summer operation :

- ⊙ On windy days, allow the air to blow vertically downward.

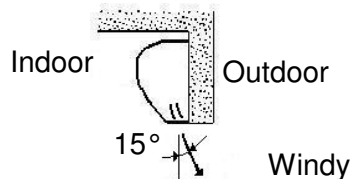


- ⊙ On still days, adjust the air to blow at an inward angle of approximately 15°.

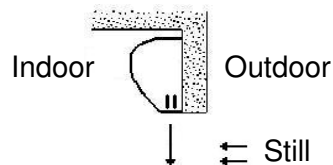


3. Winter operation :

- ⊙ On windy days, allow the air to blow at an outward angle of approximately 15°.

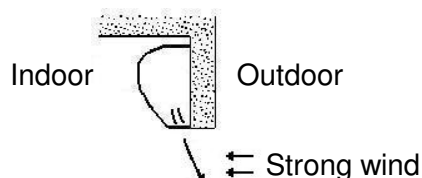


- ⊙ On still days, allow the air to blow vertically downward.



4. Insect & smoke control:

- ⊙ When indoor and outdoor temperature are alike, allow the air to blow directly on the ground.
- ⊙ When indoor and outdoor temperatures differ adjust air flow according to the above instructions.
- ⊙ Adjust the air direction louvre according to the conditions.





# MAINTENANCE CAUTIONS

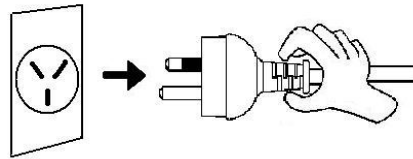
## 1. Cautions:

If any of the following events occur, switch the air curtain off, disconnect the power cord and then contact your local service agent.

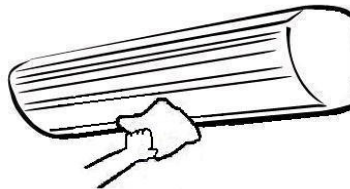
- ⊙ The power cord or plug overheats during operation.
- ⊙ The switches do not operate properly.
- ⊙ The restart protection mechanism is activated from time to time.
- ⊙ The fan motor does not run properly.
- ⊙ The insulation of the power cord is damaged in any way.
- ⊙ Objects are pushed into the unit.
- ⊙ Water or other fluid is accidentally poured into the unit.

## 2. Maintenance :

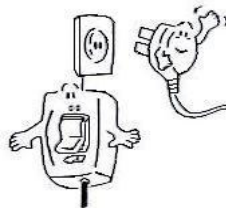
- ⊙ Be sure to remove the power plug before checking or cleaning the unit.



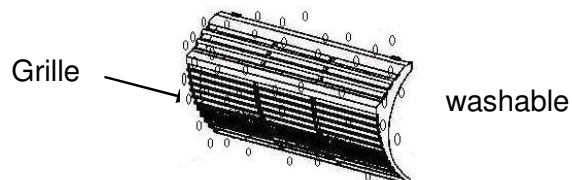
- ⊙ Never use benzine, thinner, kerosene or the like for cleaning the unit.



- ⊙ Check the power cord occasionally to confirm that it is not damaged by cuts or abrasions. If you discover damage to the cord, consult authorised service personnel.



- ⊙ Use a vacuum cleaner to remove dust accumulations, then wipe the grille with a clean cloth dipped in warm water and wipe with a clean dry cloth to remove any excess water.



# SPECIFICATION

©PNN-K3 series :

Model			PNN-K330YA1	PNN-K340YA1
Power supply		∅, V, Hz	1,240,50	1,240,50
Max air speed	High	m/s	9.6	11.5
	Low	m/s	7.8	9.7
Air volume	High	L/s	333	425
	Low	L/s	290	370
Start current	High	A	0.58	0.75
	Low	A	0.53	0.68
Max operating current	High	A	0.37	0.45
	Low	A	0.36	0.44
Max input power	High	W	86	106
	Low	W	84	103
Min. spec. voltage		V	198	198
Max. spec. voltage		V	264	264
Min. low voltage start		V	198	198
Fan & motor	Fan type		Cross flow fan × 2	Cross flow fan × 2
	Fan diameter		mm	∅135
	Motor output		W	41
	Motor protection		Internal thermostat (120°C turn off)	
Operation range		°C	10 ~ 40	10 ~ 40
Noise level	High	dB(A)	54	56
	Low	dB(A)	52	54
External Finish			Steel plate painting with polyester powder	
Climate application type			T1	T1
Ingress protection rating		IP	IPX0	IPX0
Dimensions	Height (packaged)		mm	196 (265)
	Width (packaged)		mm	910 (960)
	Depth (packaged)		mm	236 (305)
Net weight		kg	16.4	16.4
Gross weight		kg	17.5	17.5

©PNN-K4 series :

Model			PNN-K430YA1	PNN-K440YA1
Power supply		Ø,V,Hz	1,240,50	1,240,50
Max air speed	High	m/s	9.8	12.6
	Low	m/s	7.7	9.9
Air volume	High	L/s	467	600
	Low	L/s	406	520
Start current	High	A	0.79	1.06
	Low	A	0.72	0.95
Max operating current	High	A	0.56	0.64
	Low	A	0.54	0.63
Max input power	High	W	132	151
	Low	W	128	147
Min. spec. voltage		V	198	198
Max. spec. voltage		V	264	264
Min. low voltage start		V	198	198
Fan & motor	Fan type		Cross flow fan × 2	Cross flow fan × 2
	Fan diameter	mm	Ø135	Ø135
	Motor output	W	57	88
	Motor protection		Internal thermostat (120°C turn off)	
Operation range		°C	10 ~ 40	10 ~ 40
Noise level	High	dB(A)	55	57
	Low	dB(A)	53	56
External Finish			Steel plate painting with polyester powder	
Climate application type			T1	T1
Ingress protection rating		IP	IPX0	IPX0
Dimensions	Height (packaged)	mm	196 (265)	196 (265)
	Width (packaged)	mm	1212 (1262)	1212 (1262)
	Depth (packaged)	mm	236 (305)	236 (305)
Net weight		kg	20.6	20.8
Gross weight		kg	22.0	22.2

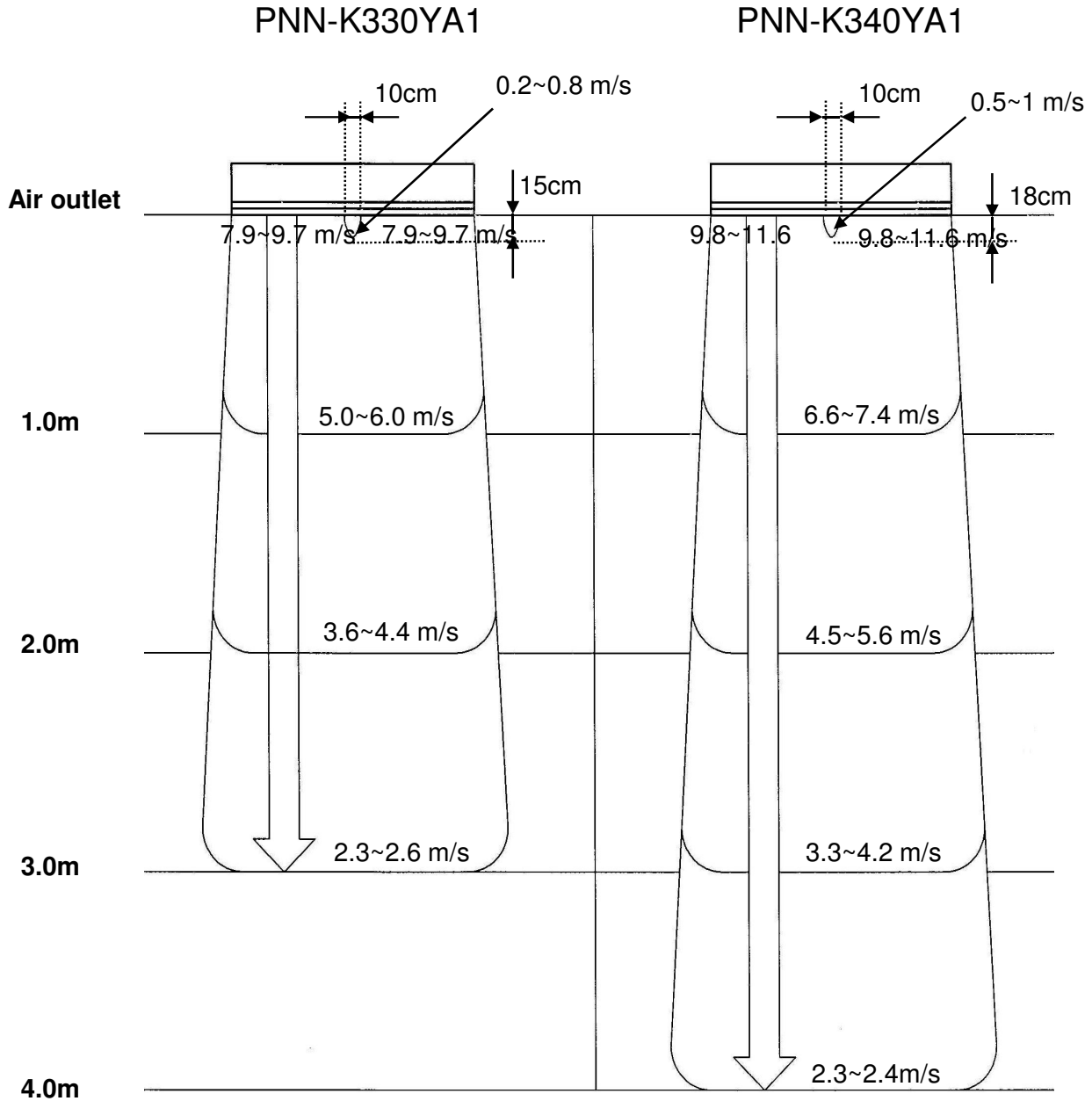
# AIR DISTRIBUTION CHART

◎

**PNN-K3 series :**

NOTE : 1. Air velocity distribution (m/sec)

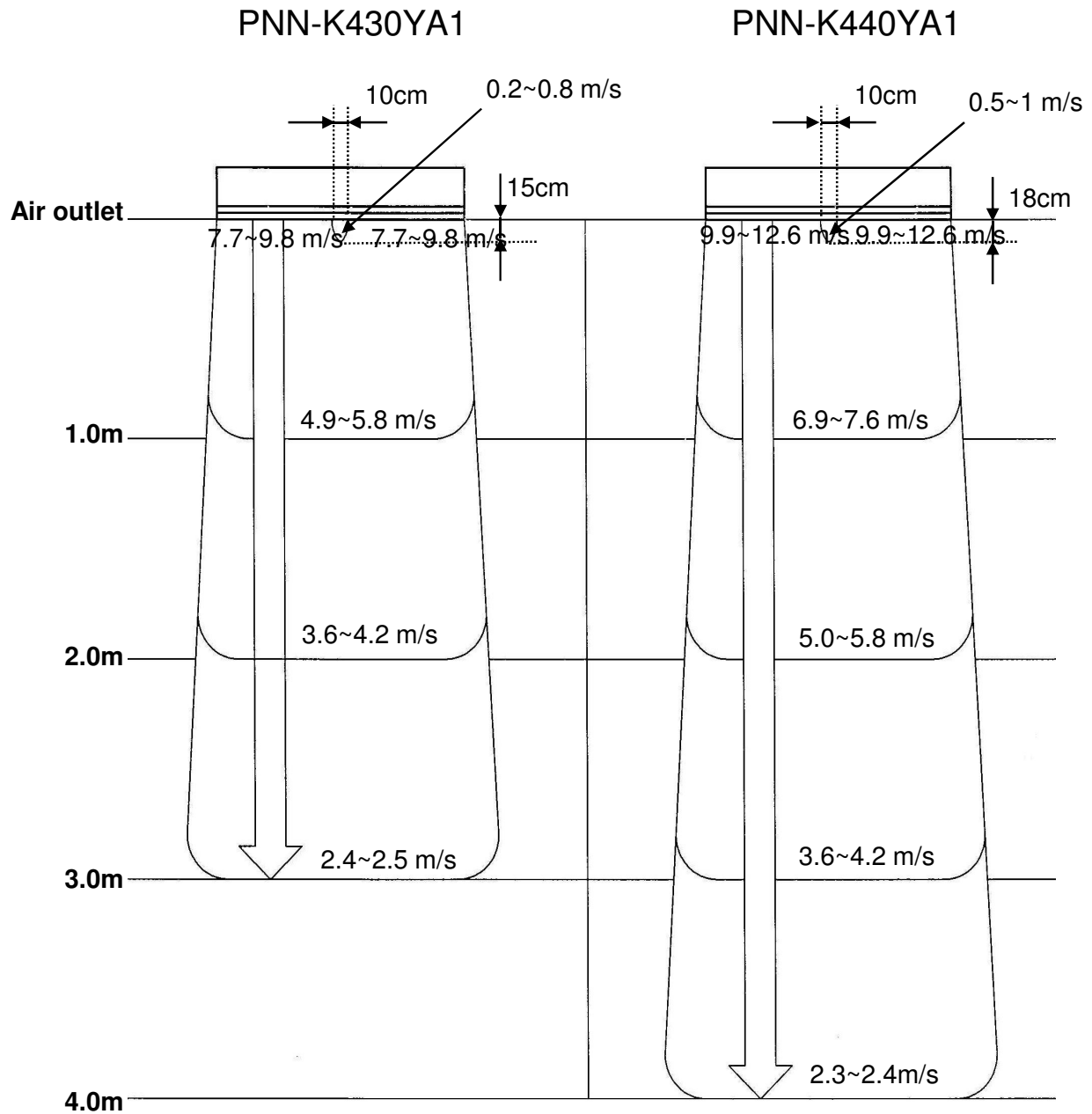
2. Power supply : 1ph,240V,50Hz



© PNN-K4 series :

NOTE : 1. Air velocity distribution (m/sec)

2. Power supply : 1ph,240V,50Hz





[www.teco.com.au](http://www.teco.com.au)

5N079D029H068